

# SYSTEM WIRING DIAGRAMS

## Article Text

1999 Mazda Miata

For Yorba Linda Miata

Copyright © 1998 Mitchell Repair Information Company, LLC

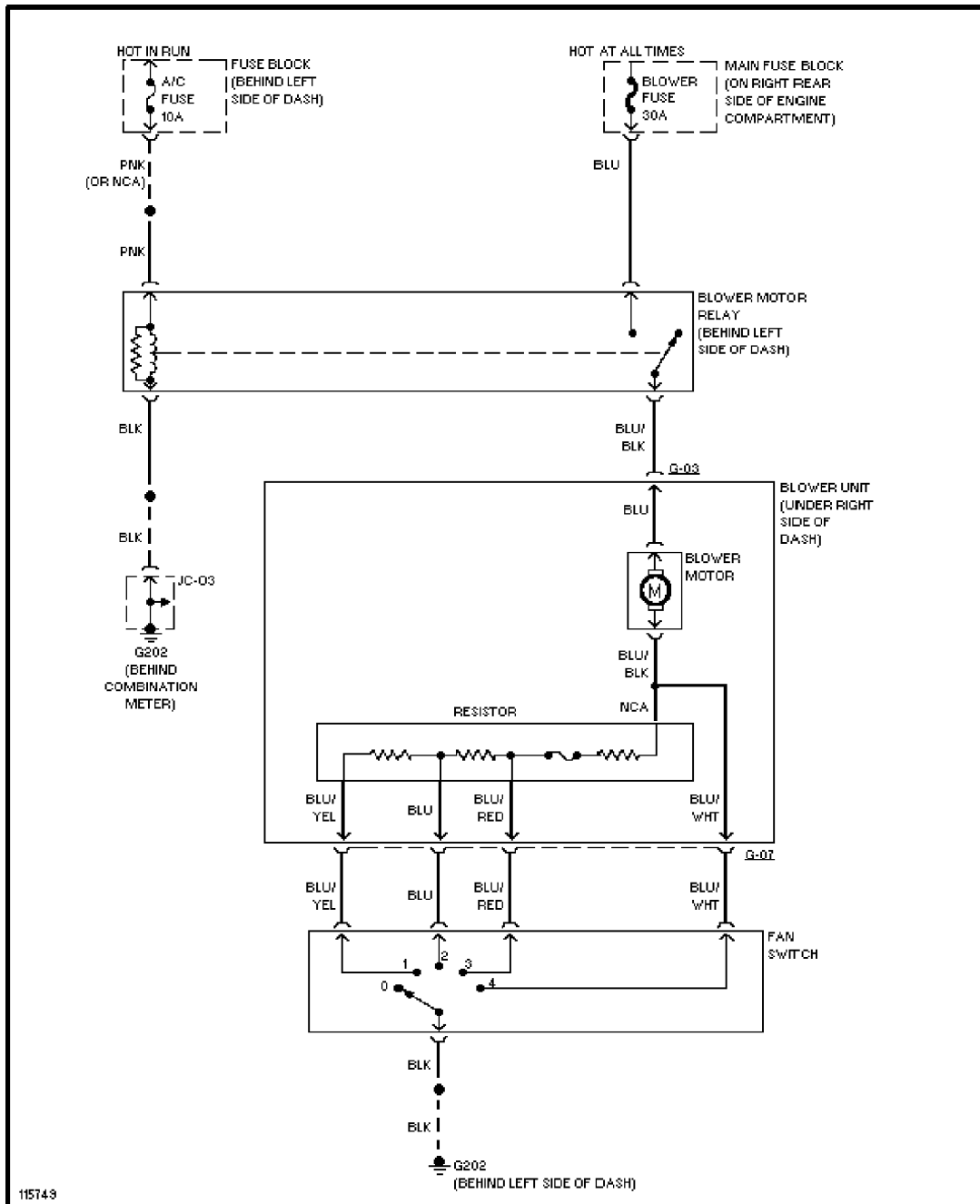
Saturday, May 10, 2003 08:51AM

### ARTICLE BEGINNING

1999 System Wiring Diagrams

Mazda - Miata

### AIR CONDITIONING



115749

Heater Circuit

# SYSTEM WIRING DIAGRAMS

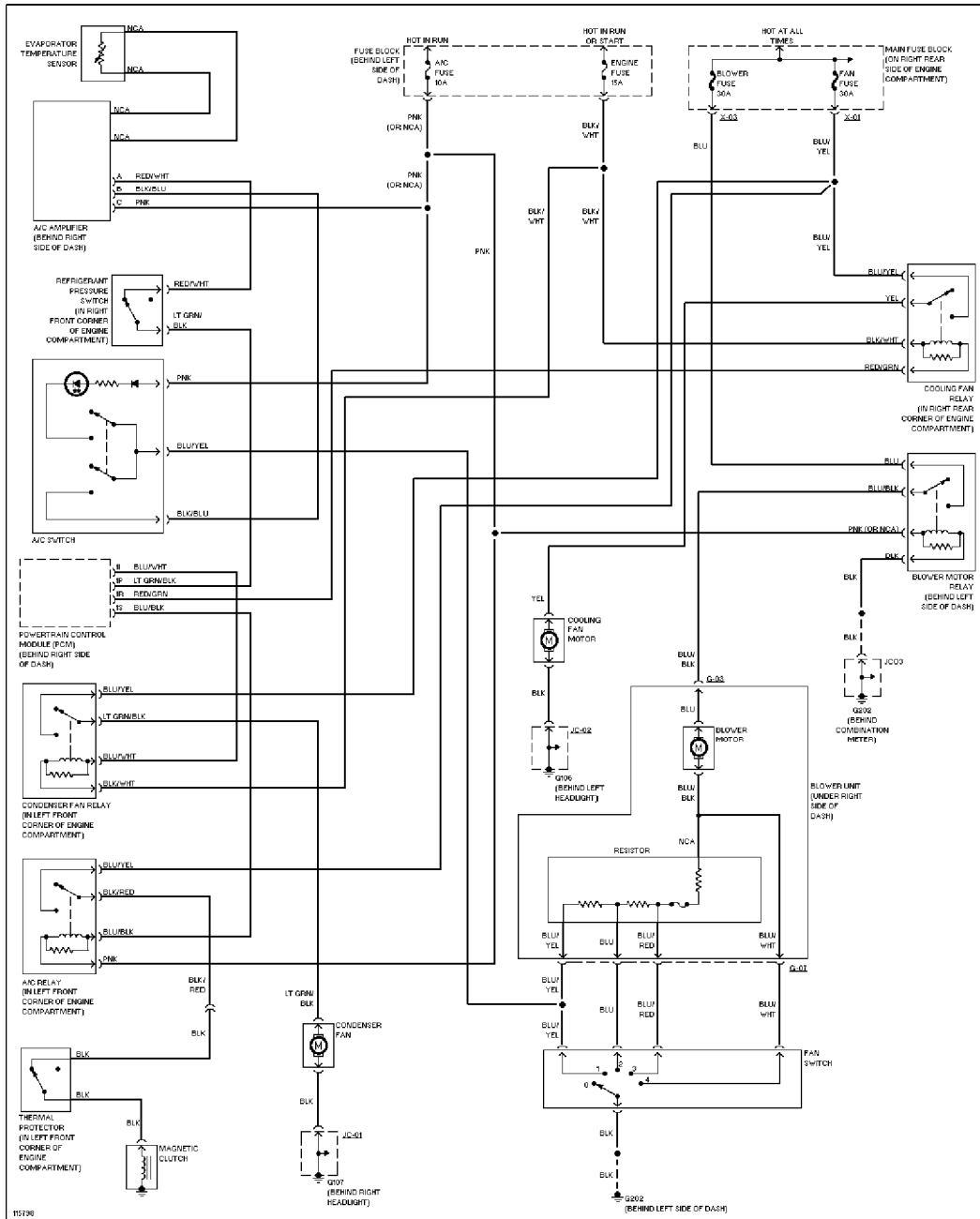
Article Text (p. 2)

1999 Mazda Miata

For Yorba Linda Miata

Copyright © 1998 Mitchell Repair Information Company, LLC

Saturday, May 10, 2003 08:51AM



Manual A/C Circuit

## ANTI-LOCK BRAKES

# SYSTEM WIRING DIAGRAMS

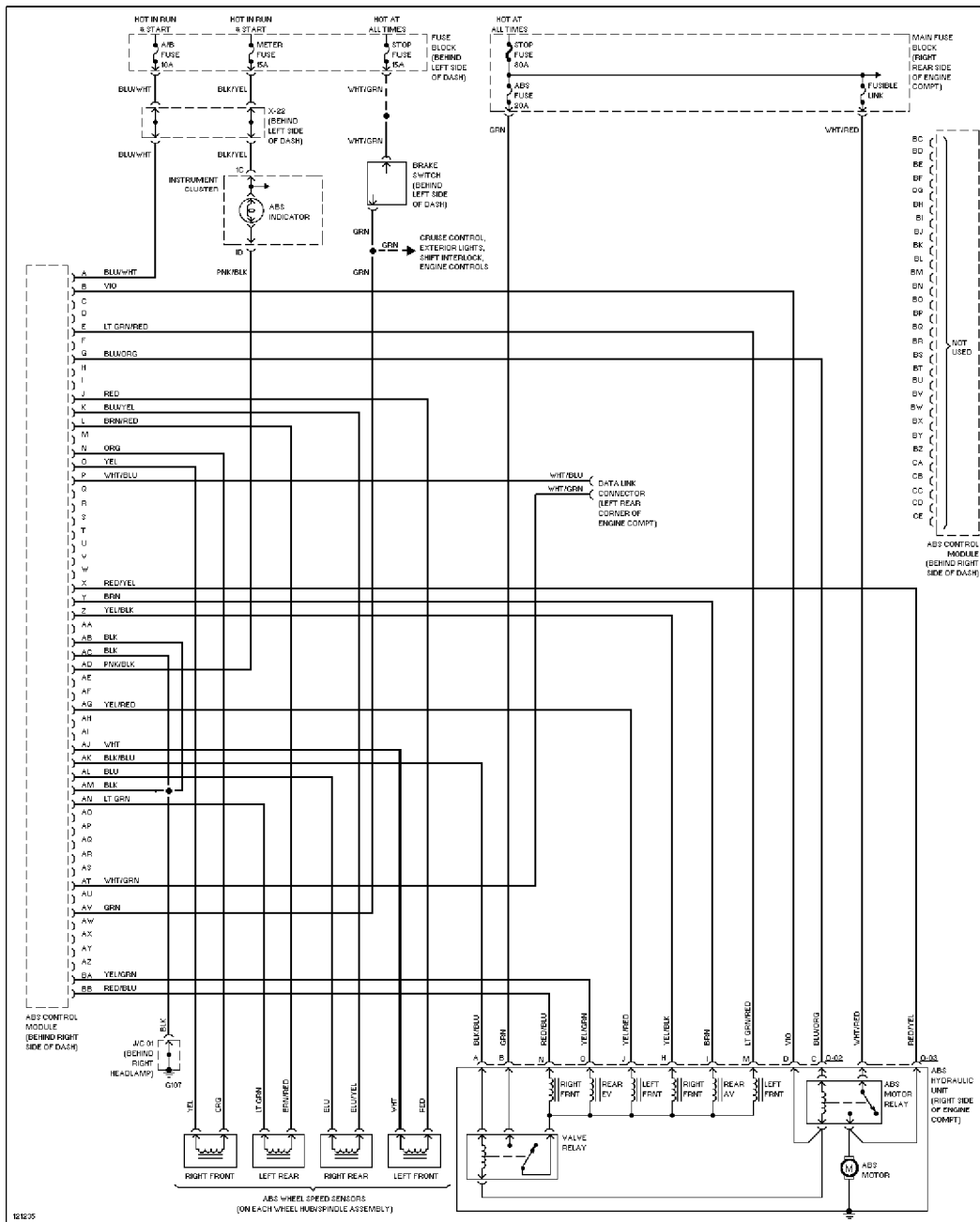
Article Text (p. 3)

1999 Mazda Miata

For Yorba Linda Miata

Copyright © 1998 Mitchell Repair Information Company, LLC

Saturday, May 10, 2003 08:51AM



Anti-lock Brake Circuits

## COMPUTER DATA LINES

# SYSTEM WIRING DIAGRAMS

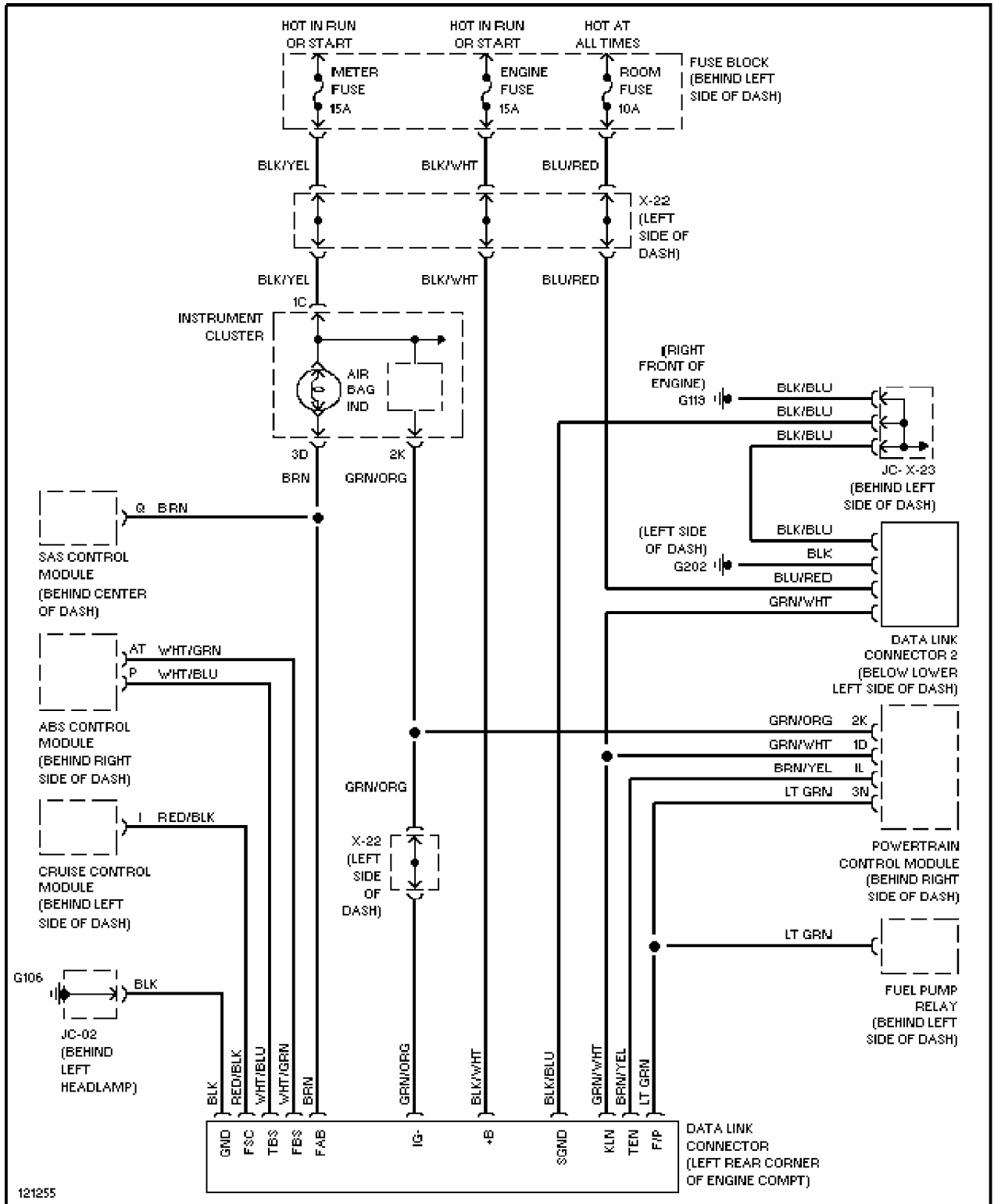
## Article Text (p. 4)

1999 Mazda Miata

For Yorba Linda Miata

Copyright © 1998 Mitchell Repair Information Company, LLC

Saturday, May 10, 2003 08:51AM



121255

Computer Data Lines

COOLING FAN

# SYSTEM WIRING DIAGRAMS

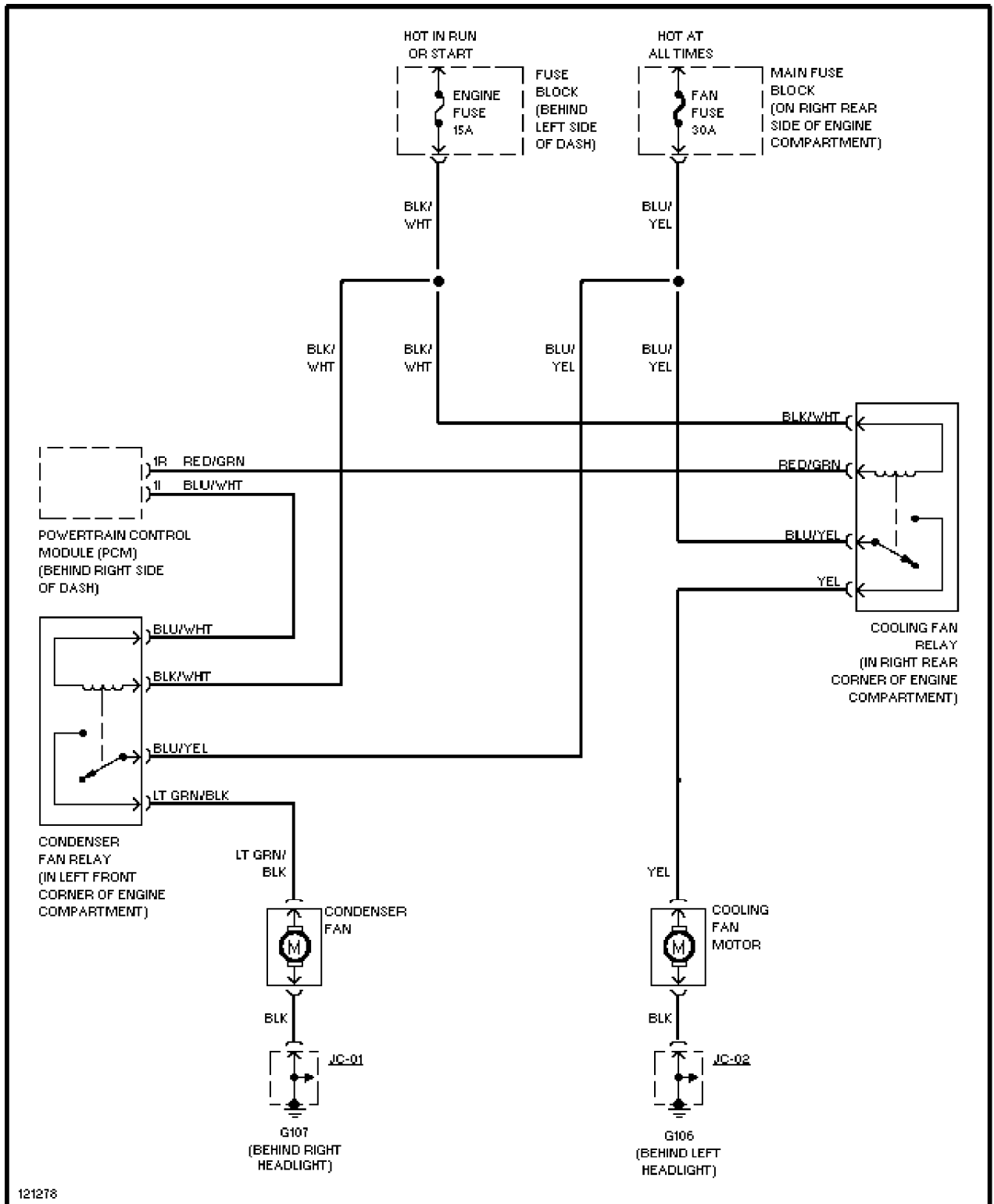
## Article Text (p. 5)

1999 Mazda Miata

For Yorba Linda Miata

Copyright © 1998 Mitchell Repair Information Company, LLC

Saturday, May 10, 2003 08:51AM



121278

Cooling Fan Circuit

# SYSTEM WIRING DIAGRAMS

Article Text (p. 6)

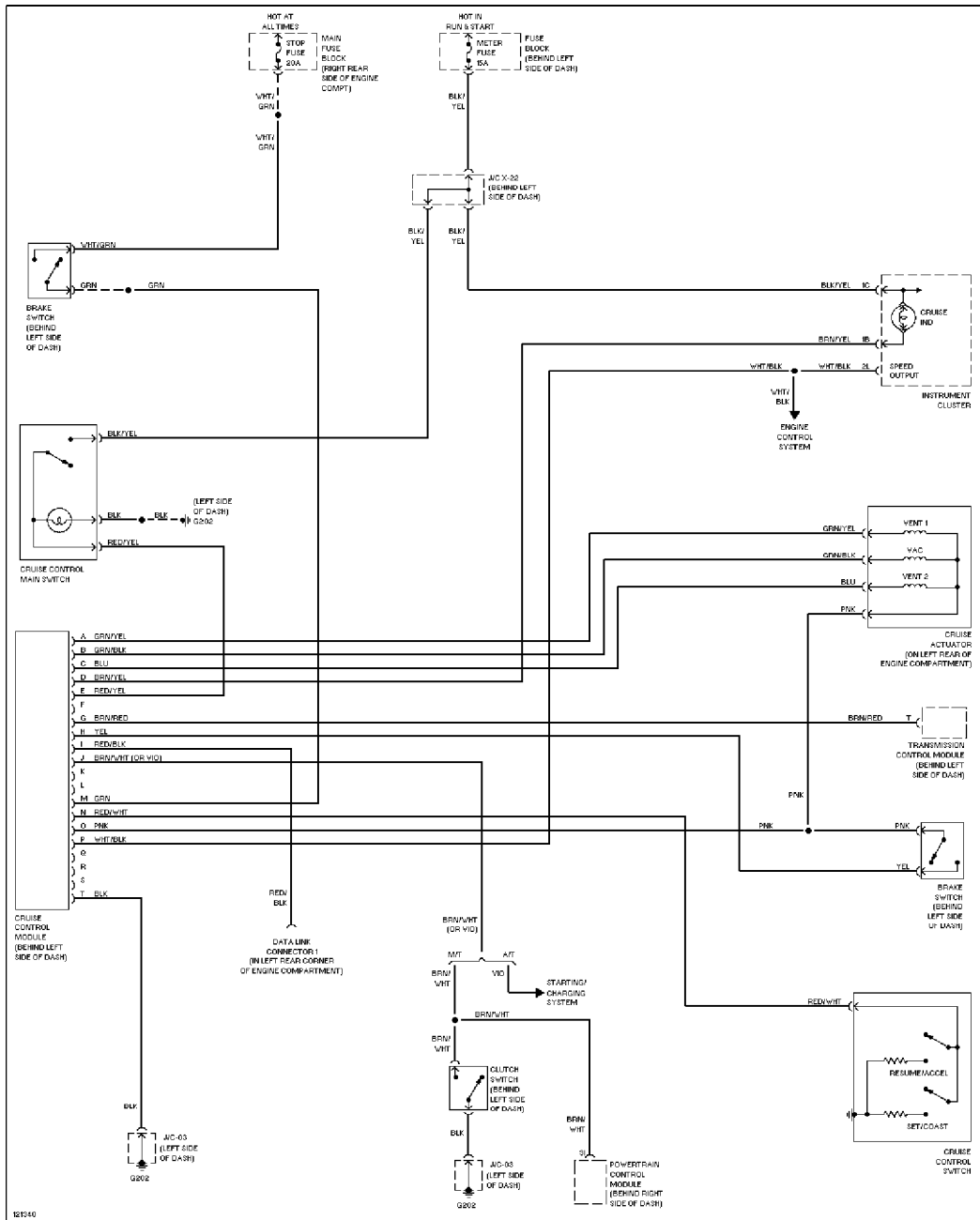
1999 Mazda Miata

For Yorba Linda Miata

Copyright © 1998 Mitchell Repair Information Company, LLC

Saturday, May 10, 2003 08:51AM

## CRUISE CONTROL



Cruise Control Circuit

## DEFOGGERS

# SYSTEM WIRING DIAGRAMS

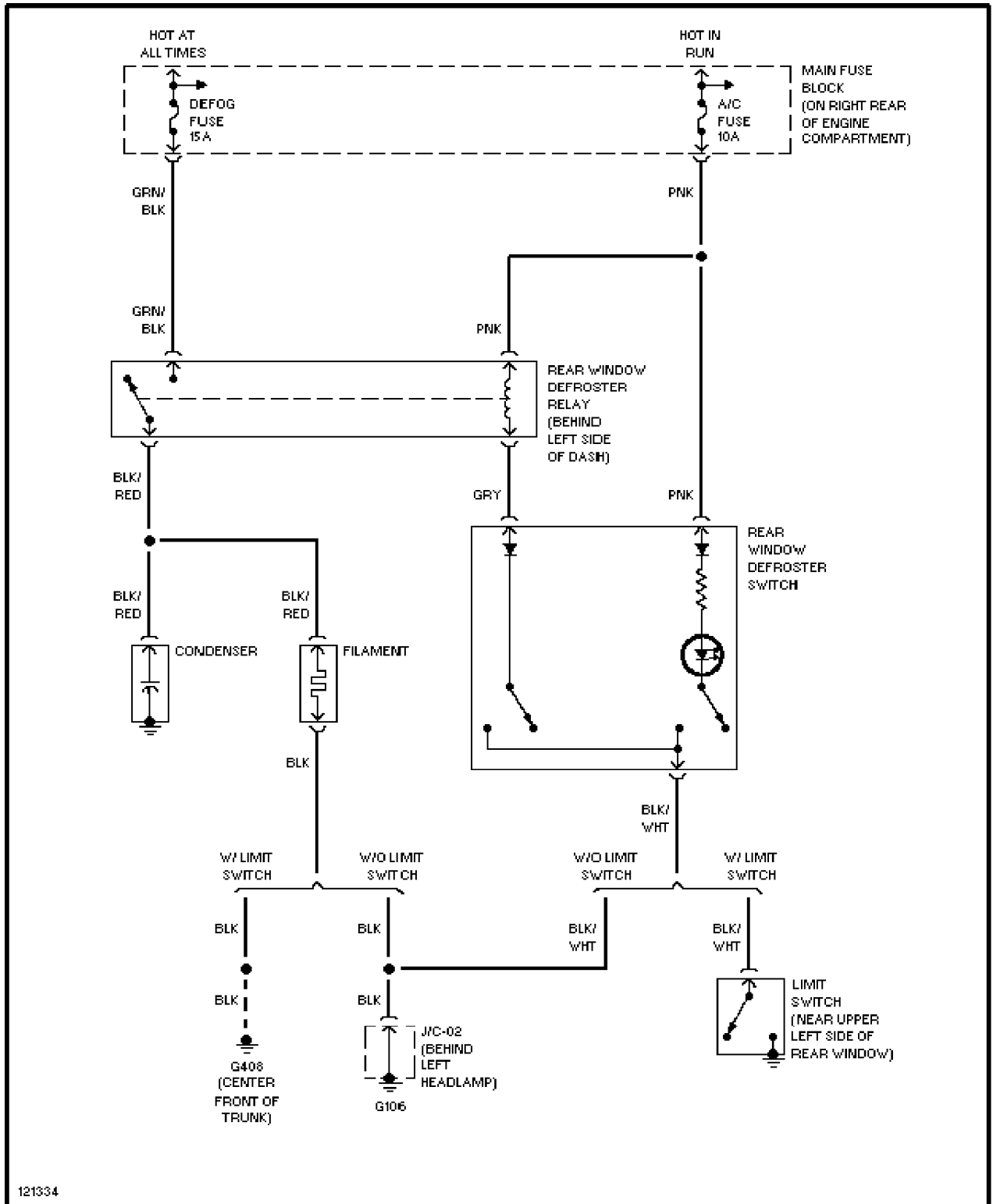
Article Text (p. 7)

1999 Mazda Miata

For Yorba Linda Miata

Copyright © 1998 Mitchell Repair Information Company, LLC

Saturday, May 10, 2003 08:51AM



121334

Defogger Circuit

# SYSTEM WIRING DIAGRAMS

Article Text (p. 8)

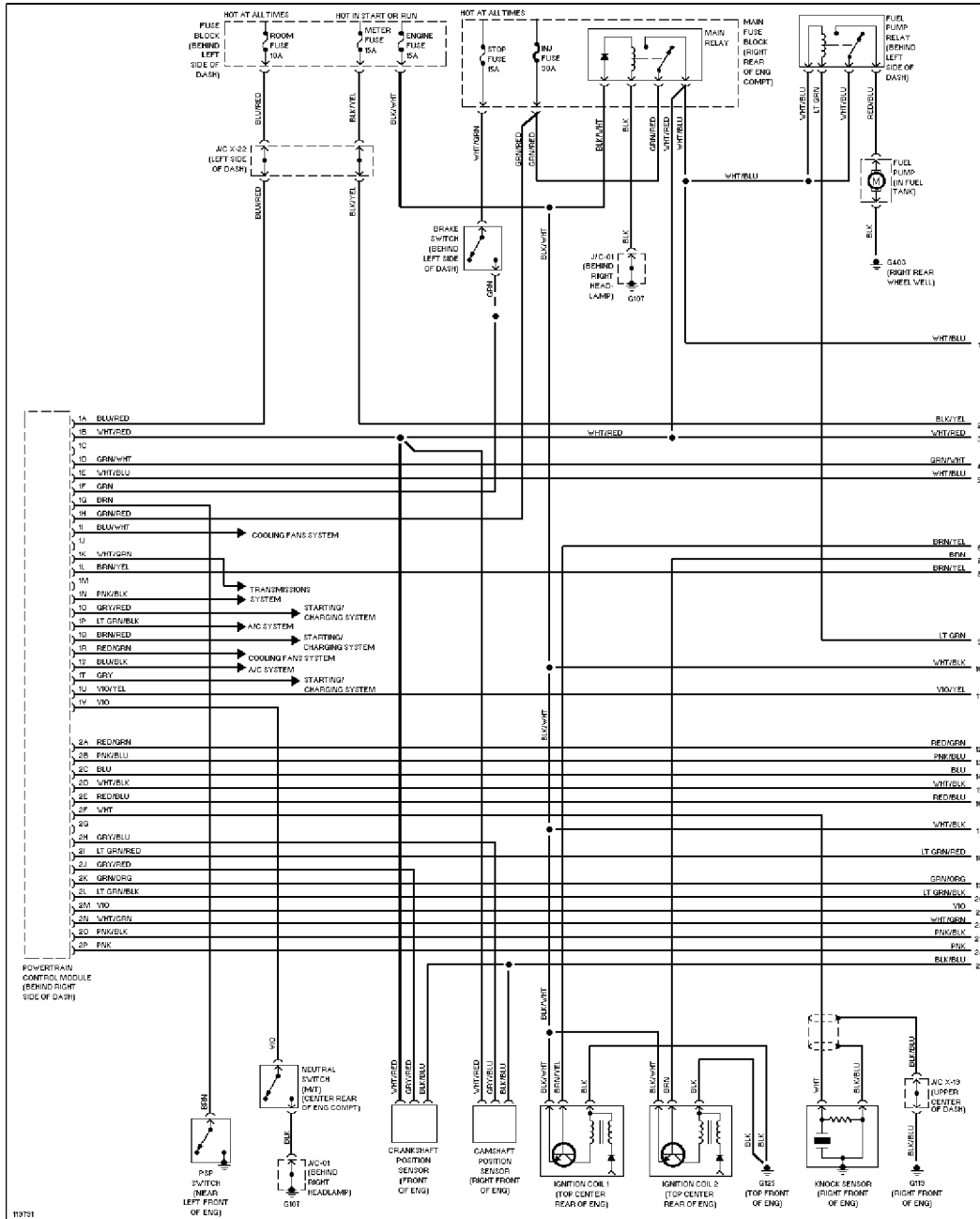
1999 Mazda Miata

For Yorba Linda Miata

Copyright © 1998 Mitchell Repair Information Company, LLC

Saturday, May 10, 2003 08:51AM

1.8L



1.8L, Engine Performance Circuits (1 of 3)



# SYSTEM WIRING DIAGRAMS

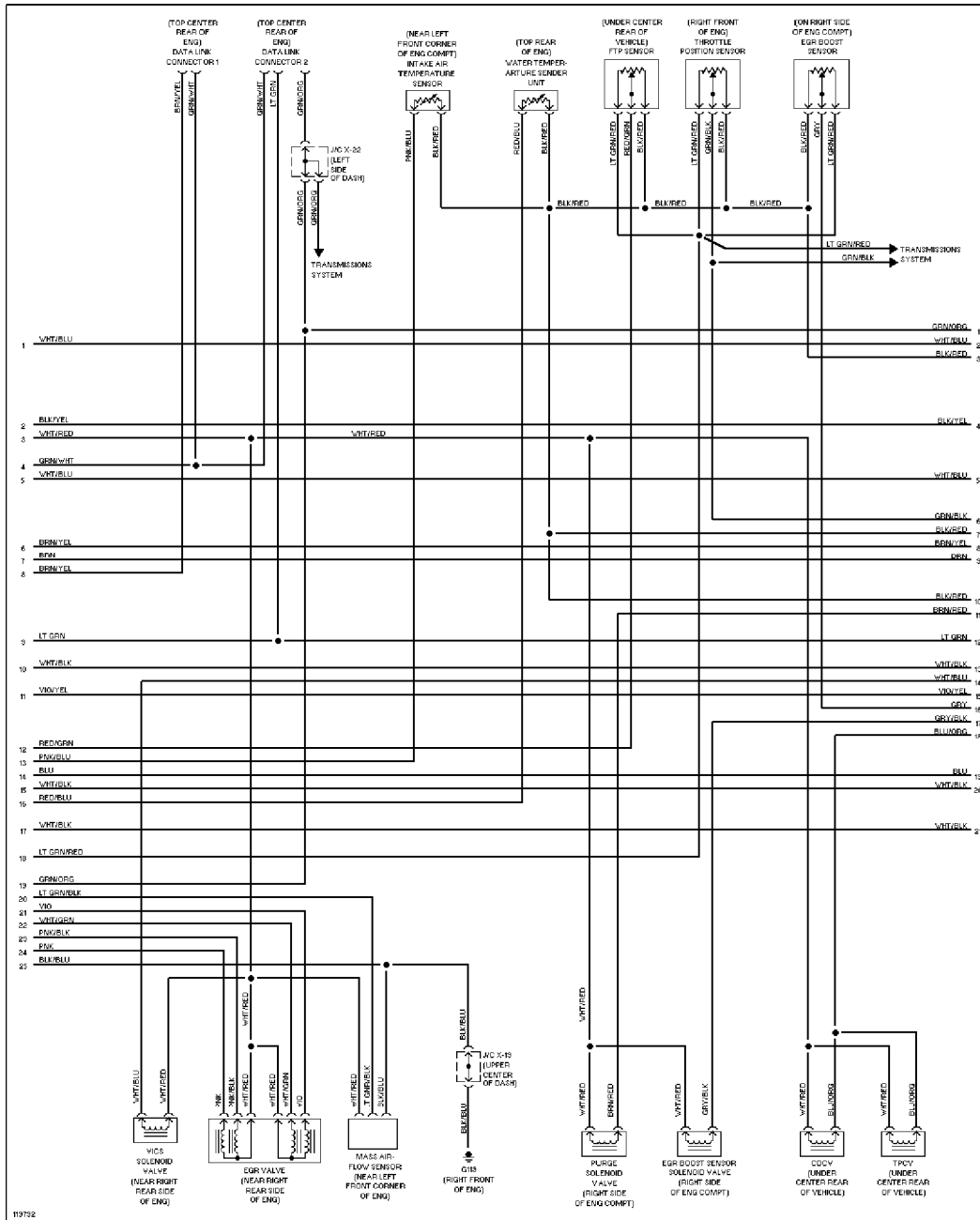
Article Text (p. 9)

1999 Mazda Miata

For Yorba Linda Miata

Copyright © 1998 Mitchell Repair Information Company, LLC

Saturday, May 10, 2003 08:51AM



1.8L, Engine Performance Circuits (2 of 3)

# SYSTEM WIRING DIAGRAMS

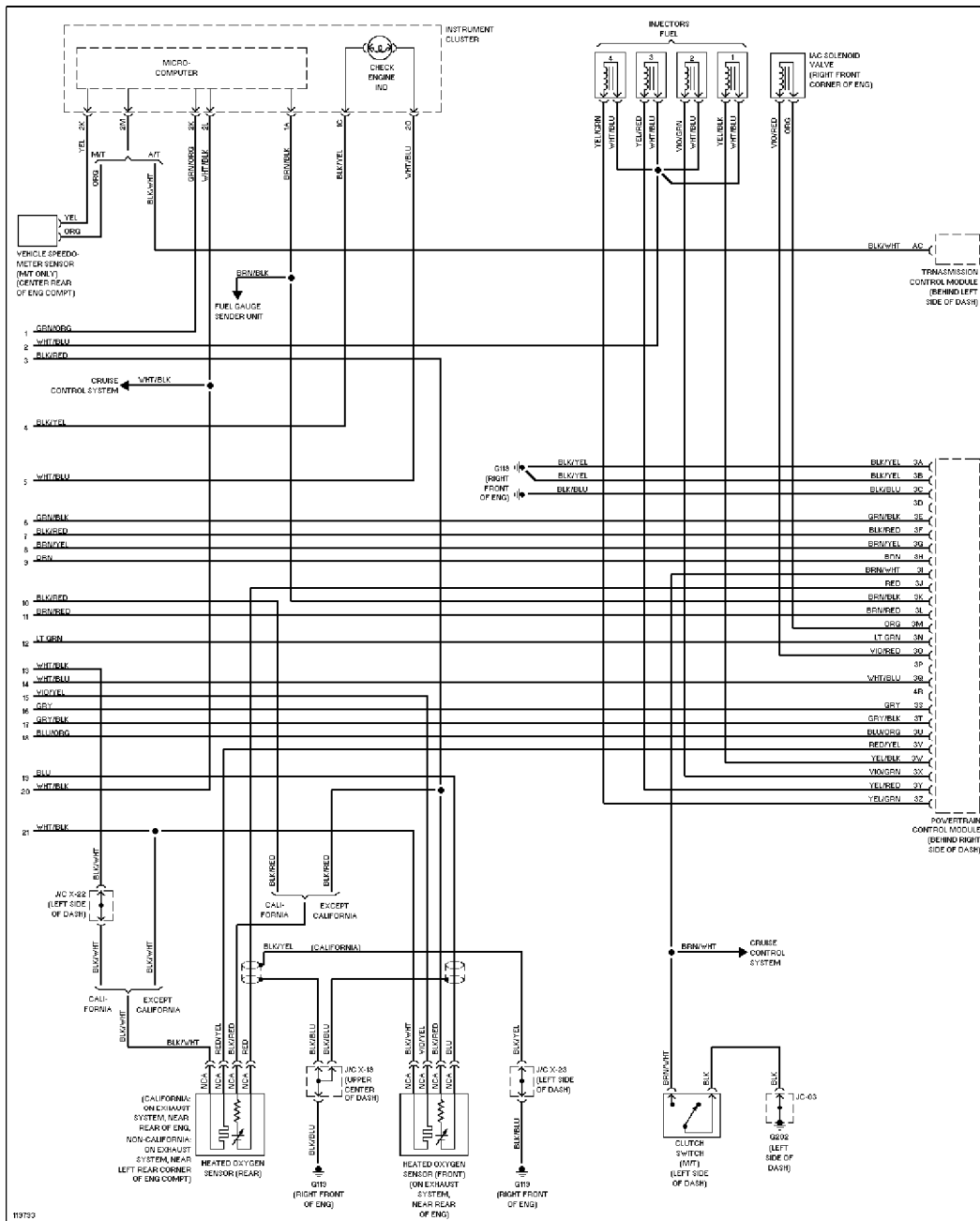
Article Text (p. 10)

1999 Mazda Miata

For Yorba Linda Miata

Copyright © 1998 Mitchell Repair Information Company, LLC

Saturday, May 10, 2003 08:51AM



1.8L, Engine Performance Circuits (3 of 3)

## EXTERIOR LIGHTS

# SYSTEM WIRING DIAGRAMS

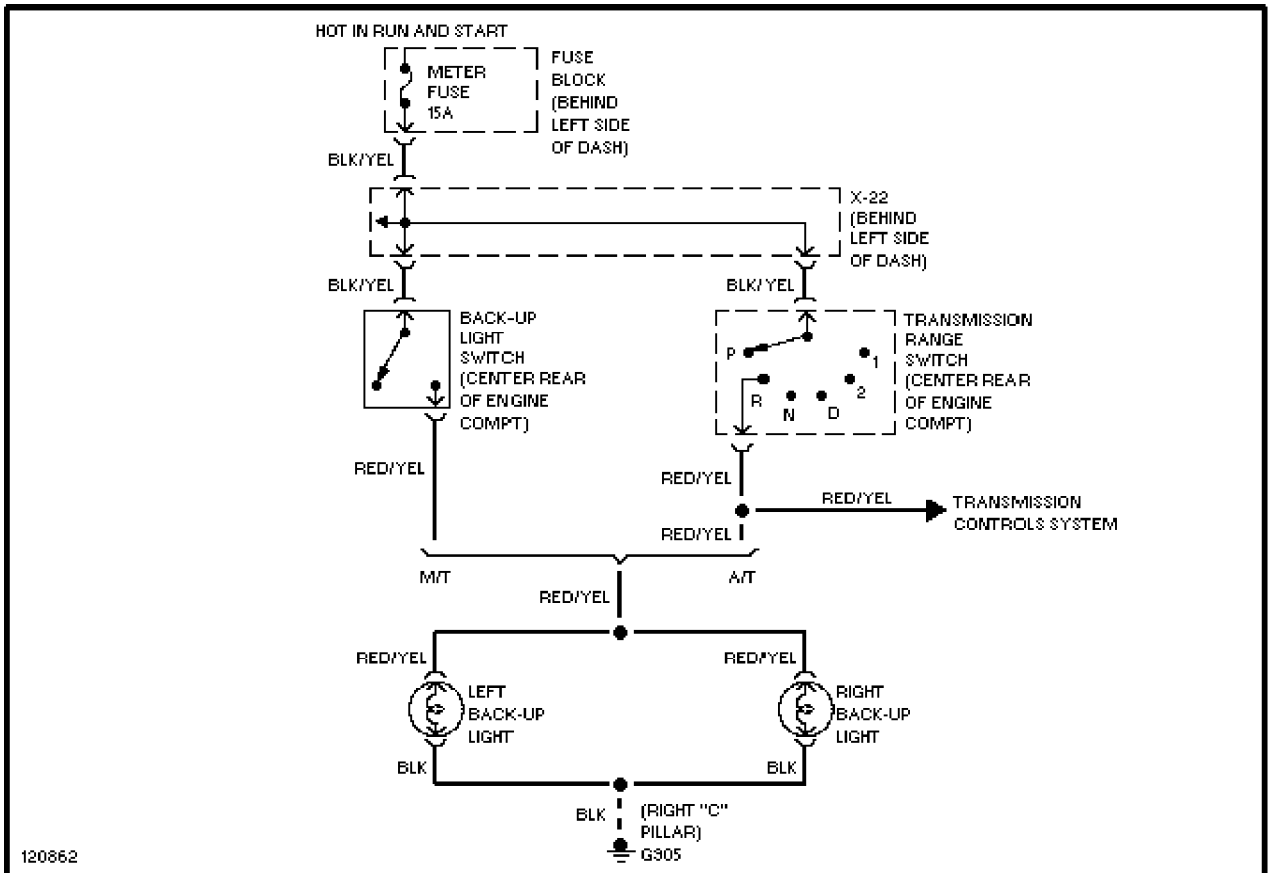
Article Text (p. 11)

1999 Mazda Miata

For Yorba Linda Miata

Copyright © 1998 Mitchell Repair Information Company, LLC

Saturday, May 10, 2003 08:51AM



Backup Lamps Circuit

# SYSTEM WIRING DIAGRAMS

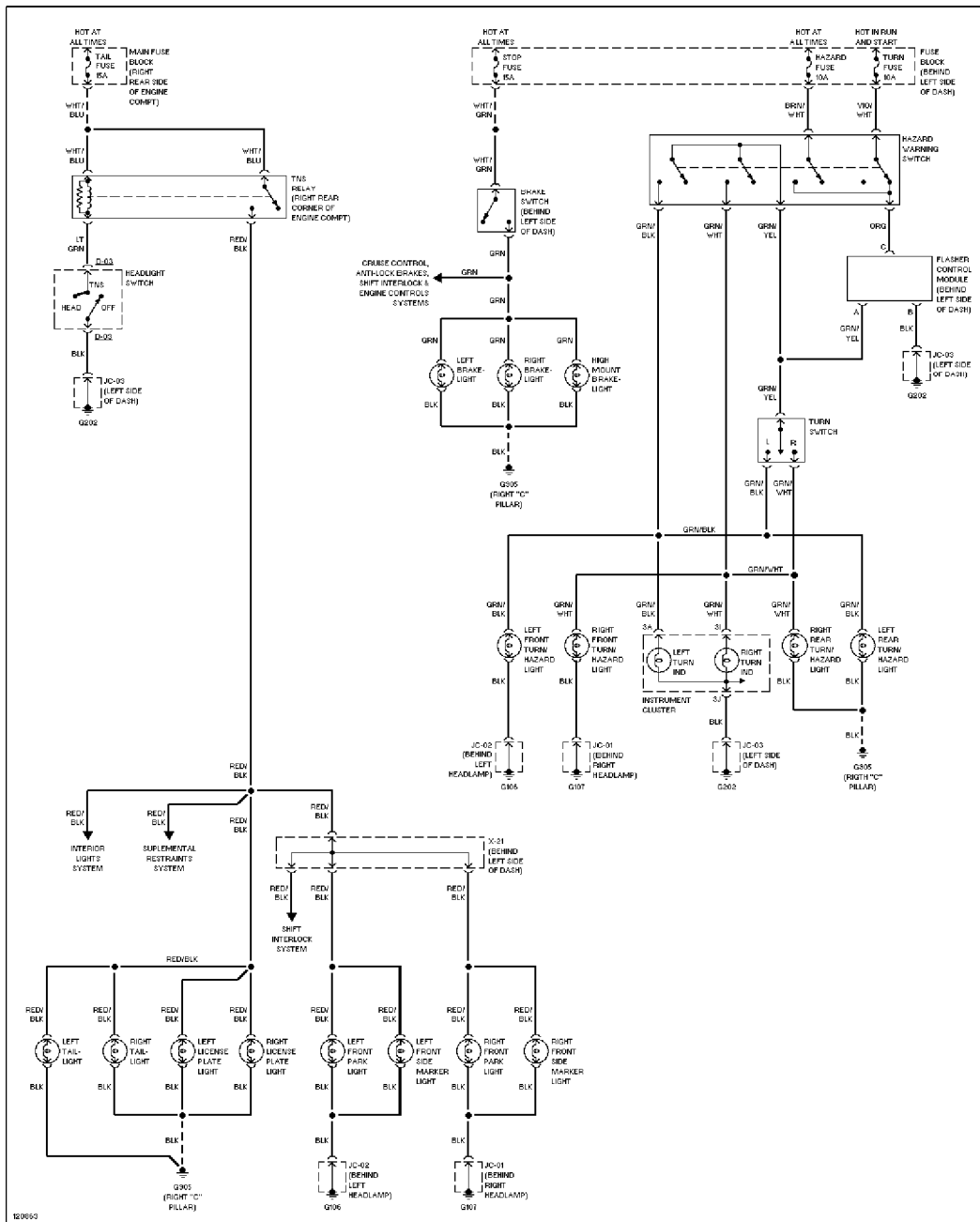
Article Text (p. 12)

1999 Mazda Miata

For Yorba Linda Miata

Copyright © 1998 Mitchell Repair Information Company, LLC

Saturday, May 10, 2003 08:51AM



Exterior Lamps Circuit

## GROUND DISTRIBUTION

# SYSTEM WIRING DIAGRAMS

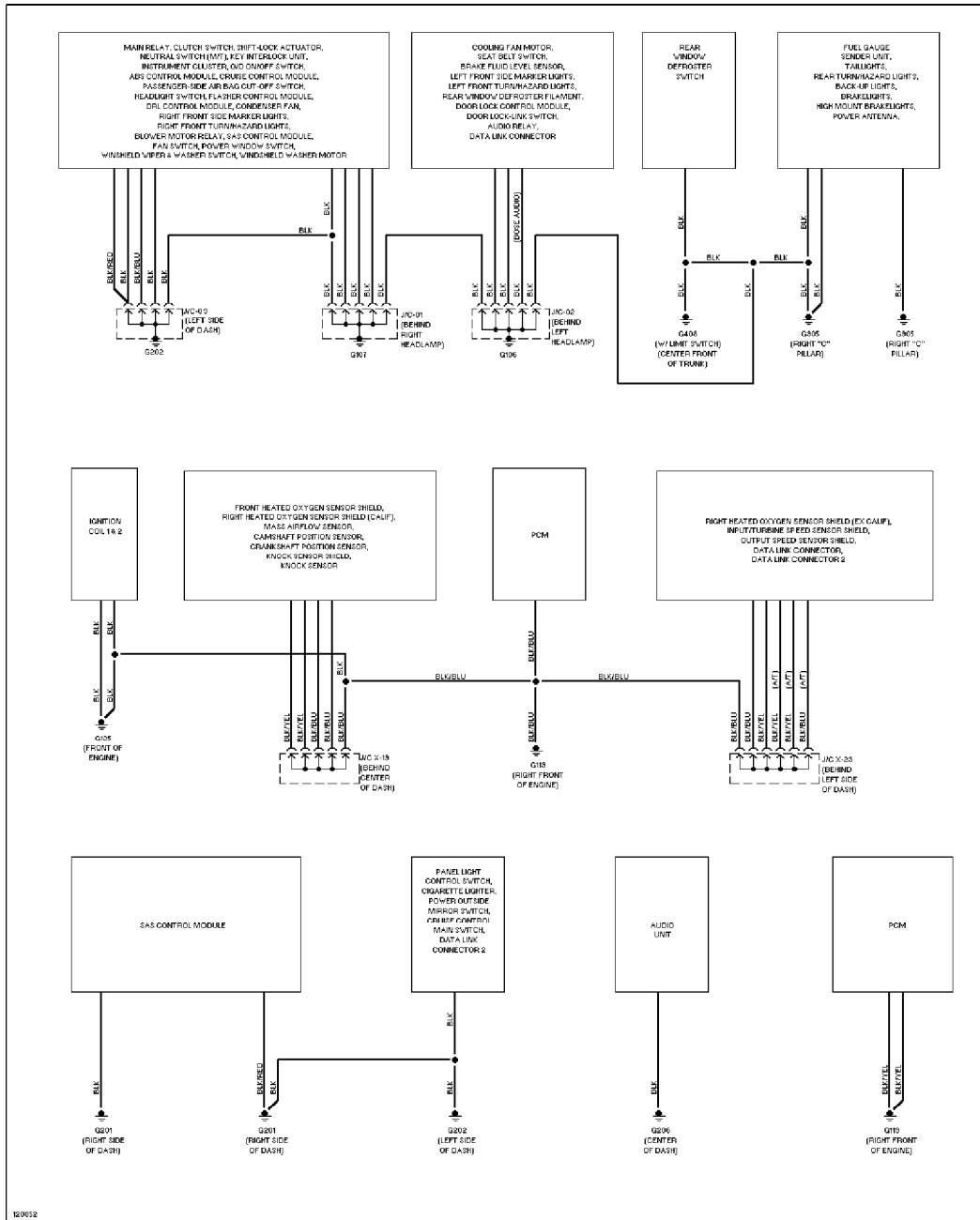
Article Text (p. 13)

1999 Mazda Miata

For Yorba Linda Miata

Copyright © 1998 Mitchell Repair Information Company, LLC

Saturday, May 10, 2003 08:51AM



Ground Distribution Circuit

## HEADLIGHTS

# SYSTEM WIRING DIAGRAMS

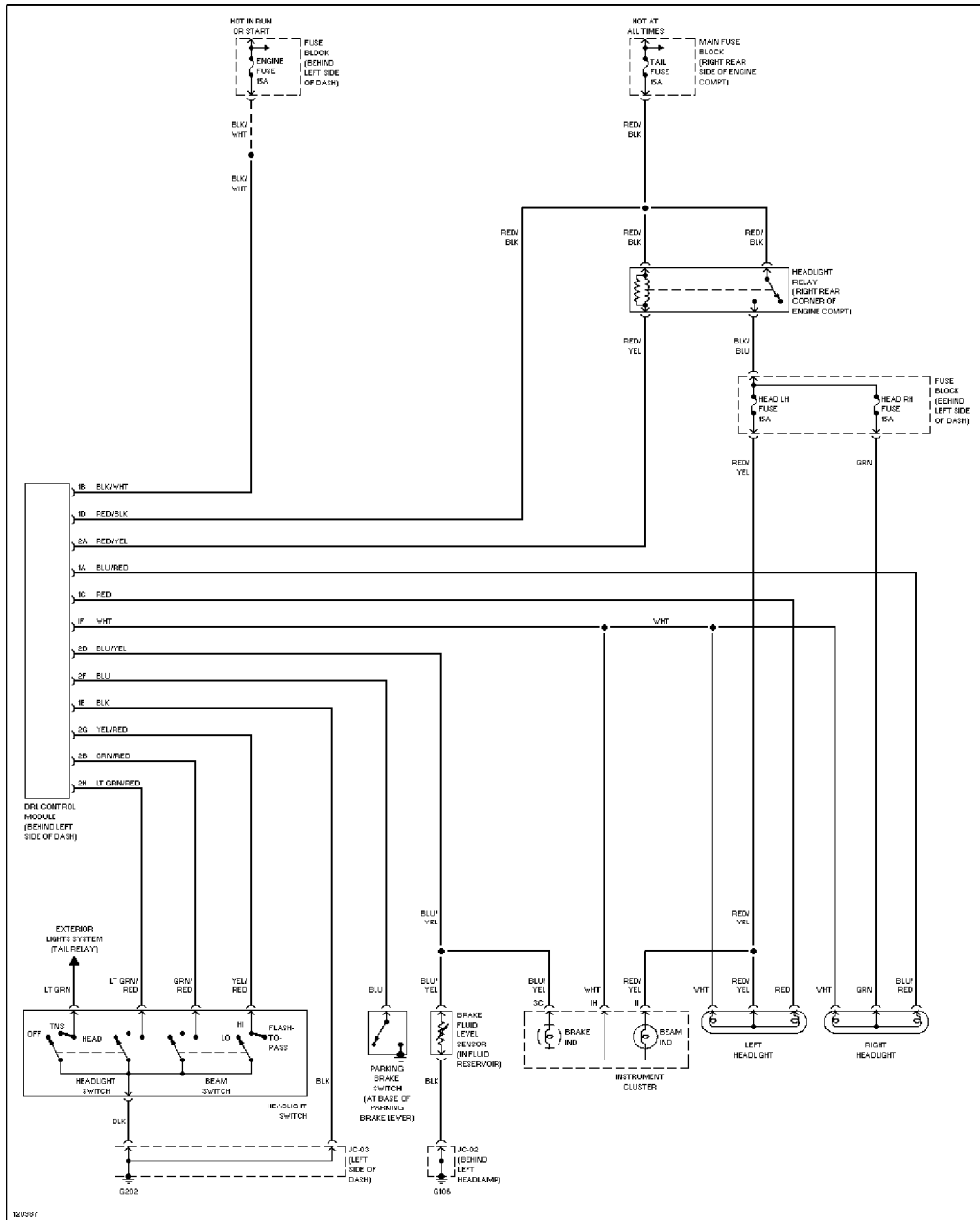
Article Text (p. 14)

1999 Mazda Miata

For Yorba Linda Miata

Copyright © 1998 Mitchell Repair Information Company, LLC

Saturday, May 10, 2003 08:51AM



Headlight Circuit, W/ DRL

# SYSTEM WIRING DIAGRAMS

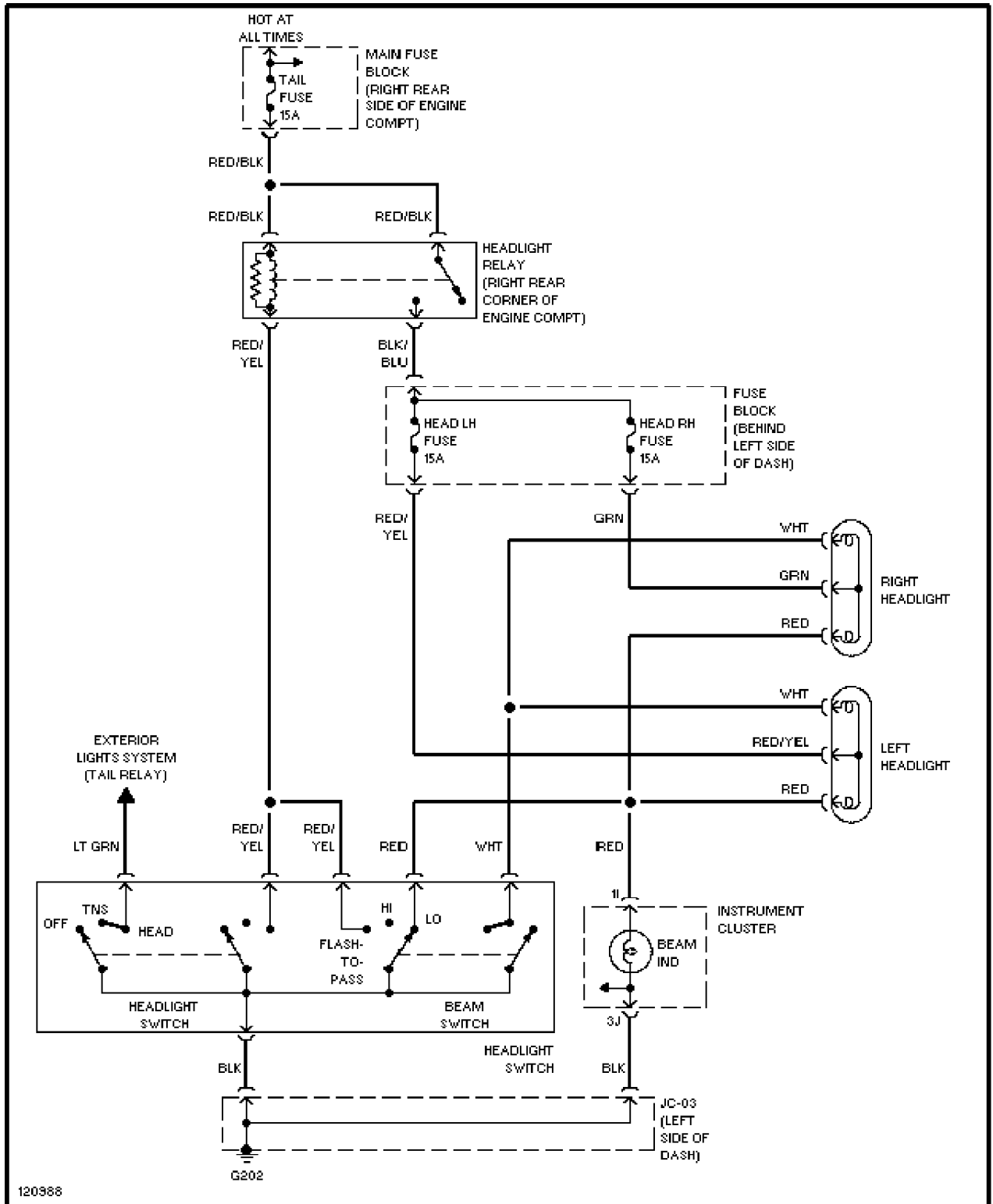
Article Text (p. 15)

1999 Mazda Miata

For Yorba Linda Miata

Copyright © 1998 Mitchell Repair Information Company, LLC

Saturday, May 10, 2003 08:51AM



Headlight Circuit, W/O DRL

HORN

# SYSTEM WIRING DIAGRAMS

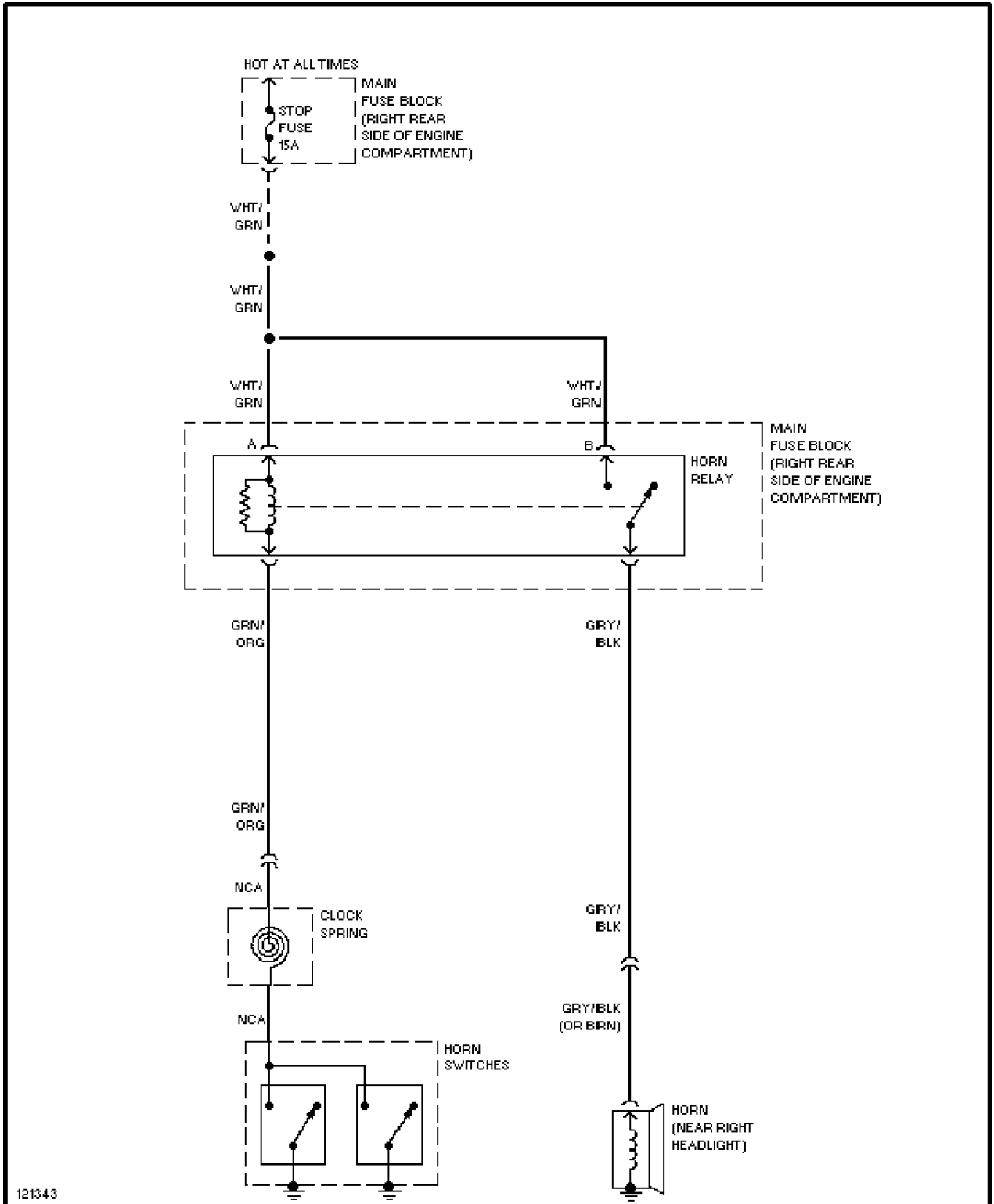
Article Text (p. 16)

1999 Mazda Miata

For Yorba Linda Miata

Copyright © 1998 Mitchell Repair Information Company, LLC

Saturday, May 10, 2003 08:51AM



Horn Circuit



# SYSTEM WIRING DIAGRAMS

Article Text (p. 17)

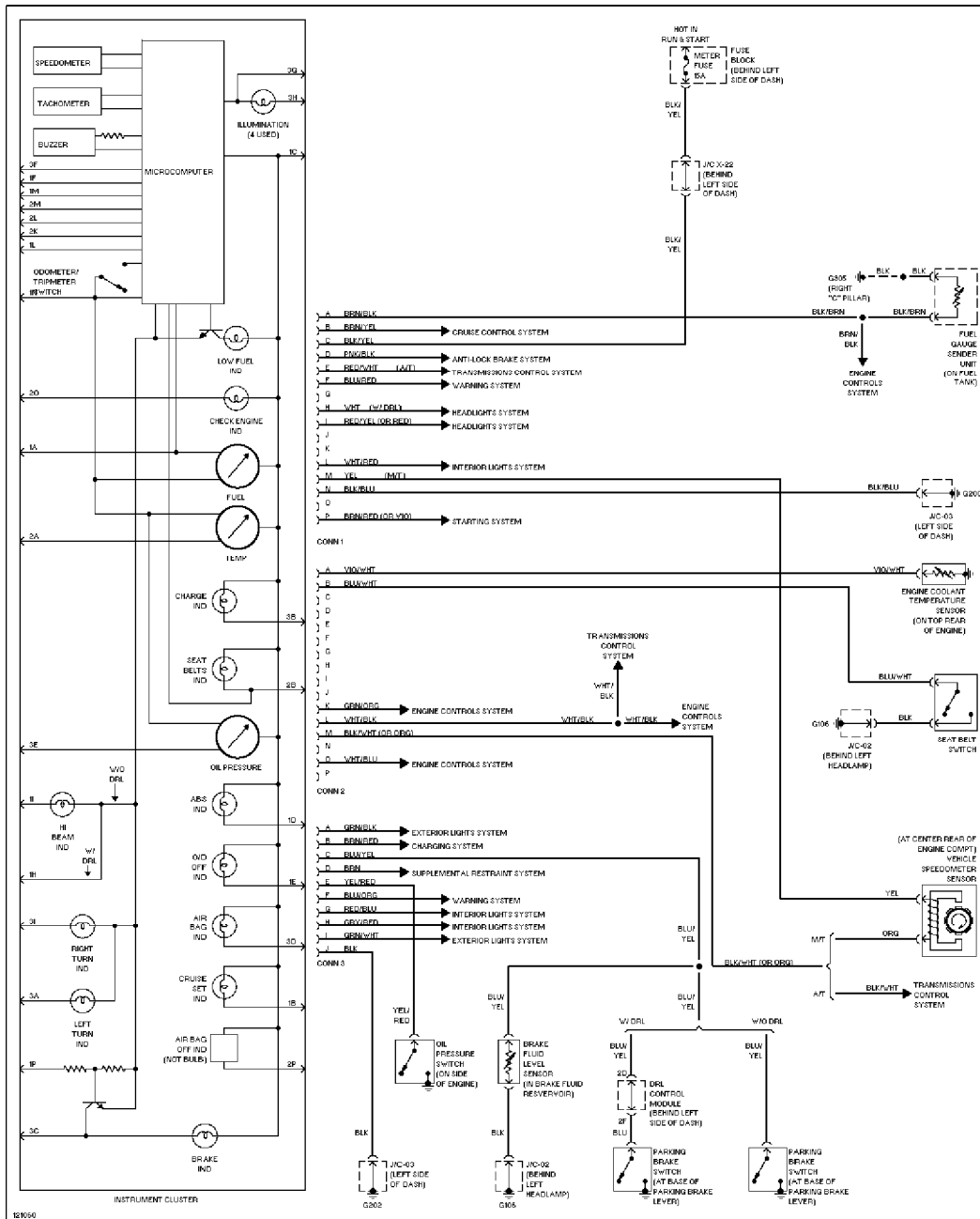
1999 Mazda Miata

For Yorba Linda Miata

Copyright © 1998 Mitchell Repair Information Company, LLC

Saturday, May 10, 2003 08:51AM

## INSTRUMENT CLUSTER



Instrument Cluster Circuit

## INTERIOR LIGHTS

# SYSTEM WIRING DIAGRAMS

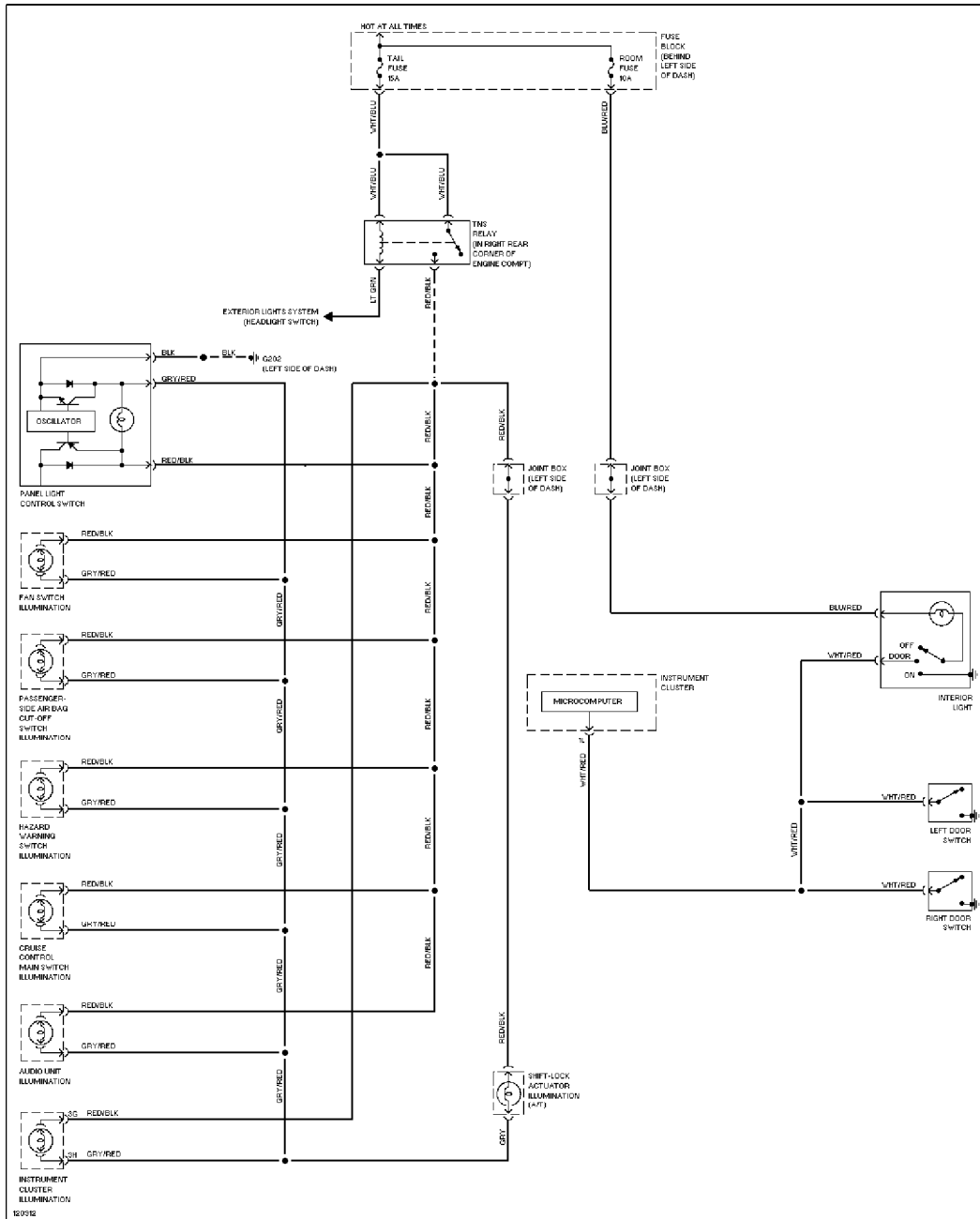
Article Text (p. 18)

1999 Mazda Miata

For Yorba Linda Miata

Copyright © 1998 Mitchell Repair Information Company, LLC

Saturday, May 10, 2003 08:51AM



Interior Light Circuit

POWER ANTENNA

# SYSTEM WIRING DIAGRAMS

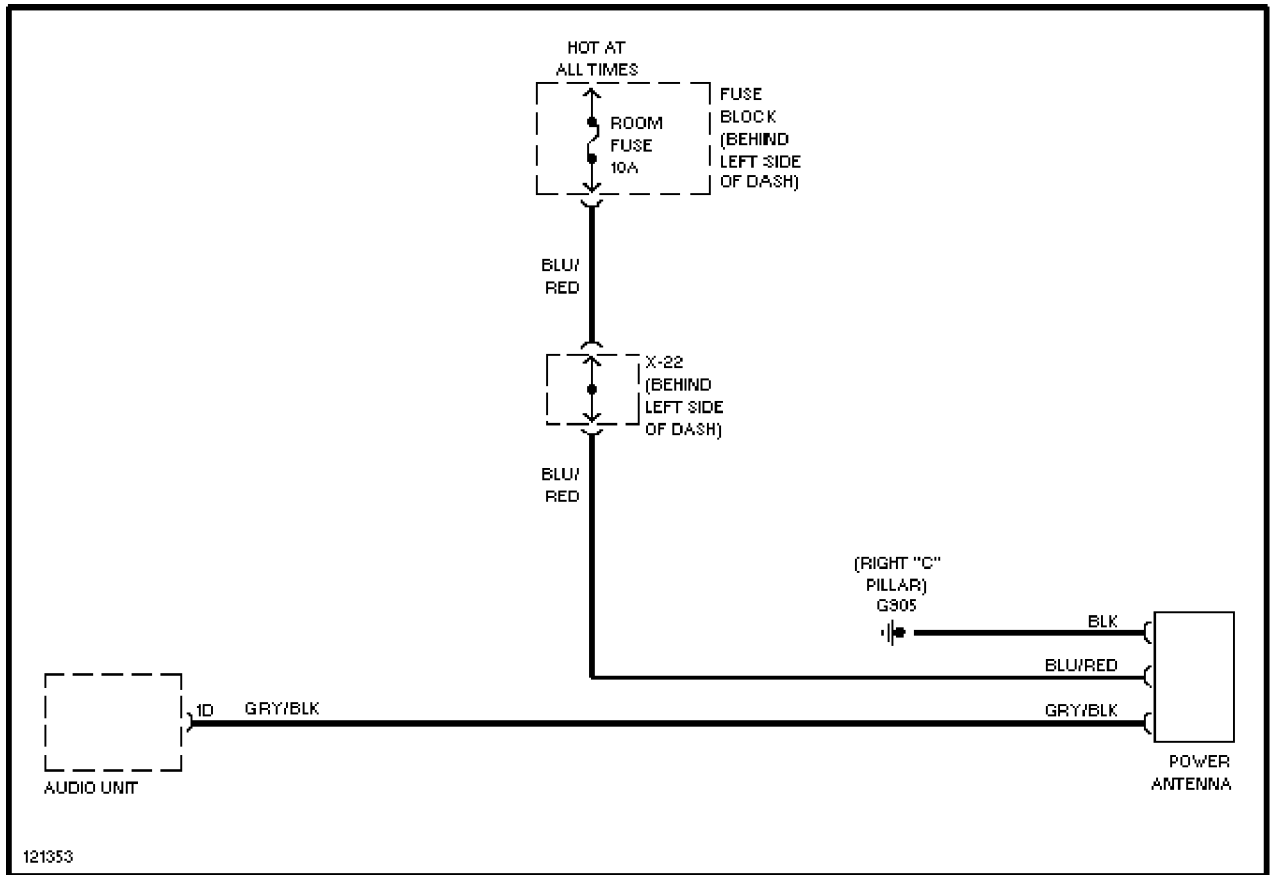
## Article Text (p. 19)

1999 Mazda Miata

For Yorba Linda Miata

Copyright © 1998 Mitchell Repair Information Company, LLC

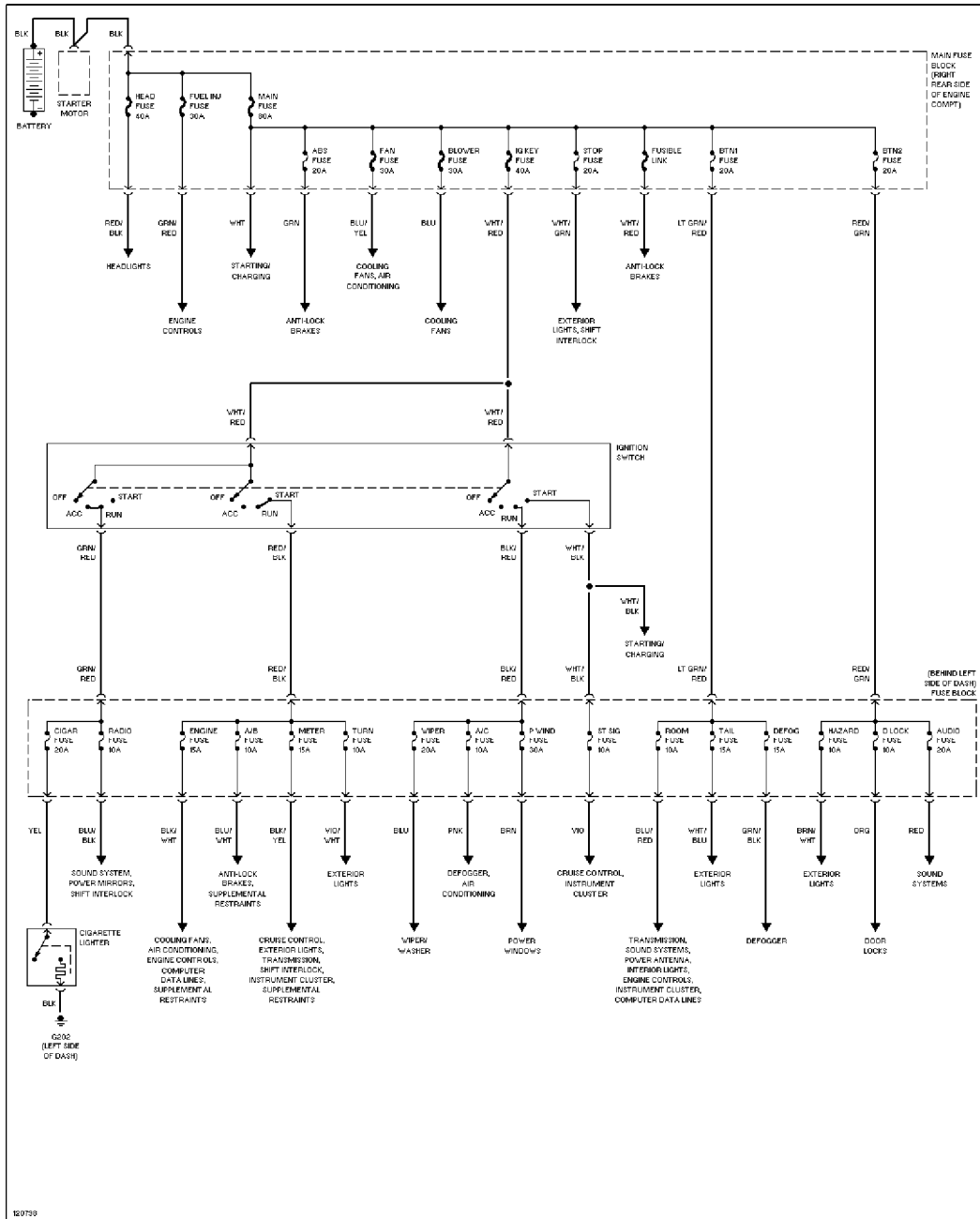
Saturday, May 10, 2003 08:51AM



Power Antenna Circuit

## POWER DISTRIBUTION

**SYSTEM WIRING DIAGRAMS**  
**Article Text (p. 20)**  
 1999 Mazda Miata  
 For Yorba Linda Miata  
 Copyright © 1998 Mitchell Repair Information Company, LLC  
 Saturday, May 10, 2003 08:51AM



Power Distribution Circuit

**POWER DOOR LOCKS**

# SYSTEM WIRING DIAGRAMS

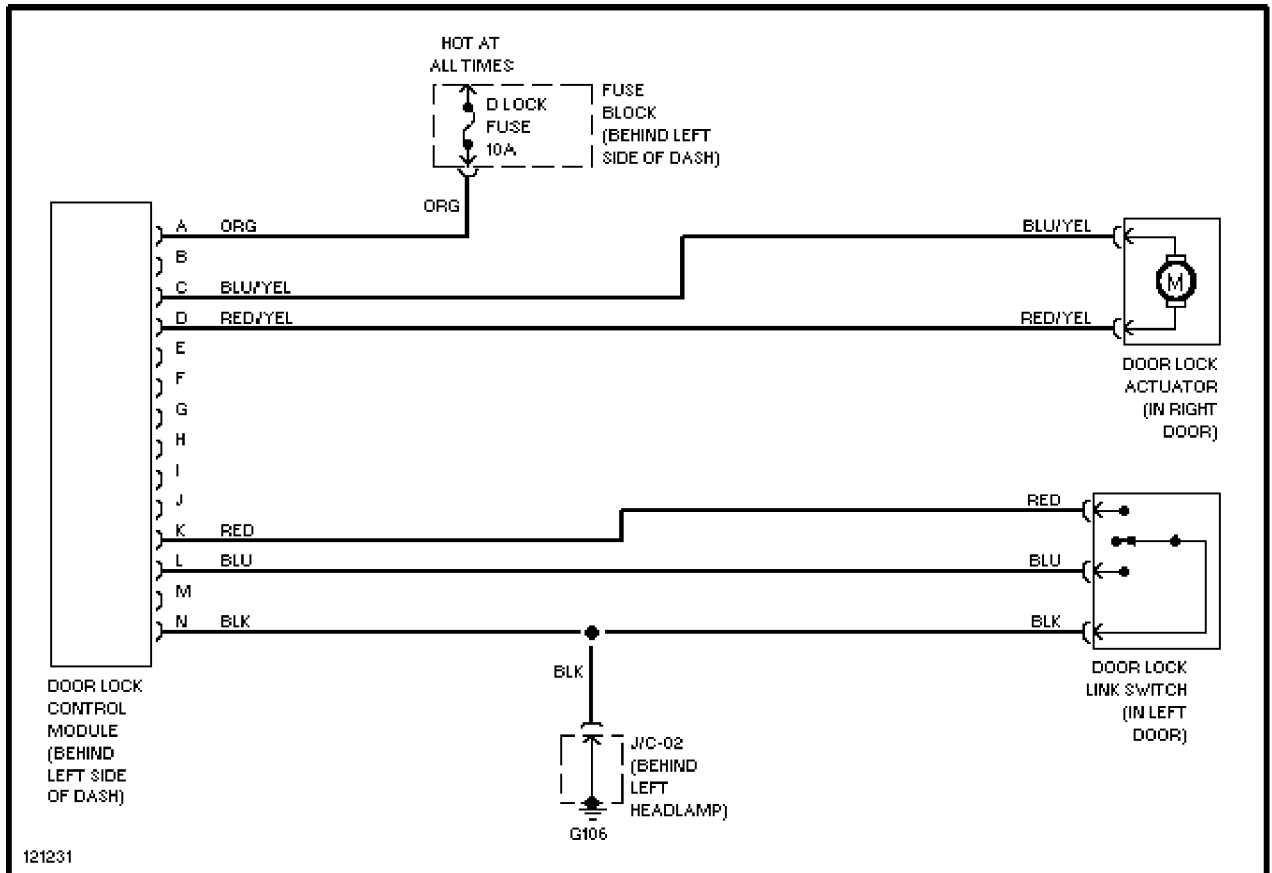
## Article Text (p. 21)

1999 Mazda Miata

For Yorba Linda Miata

Copyright © 1998 Mitchell Repair Information Company, LLC

Saturday, May 10, 2003 08:51AM



Power Door Lock Circuit

## POWER MIRRORS

# SYSTEM WIRING DIAGRAMS

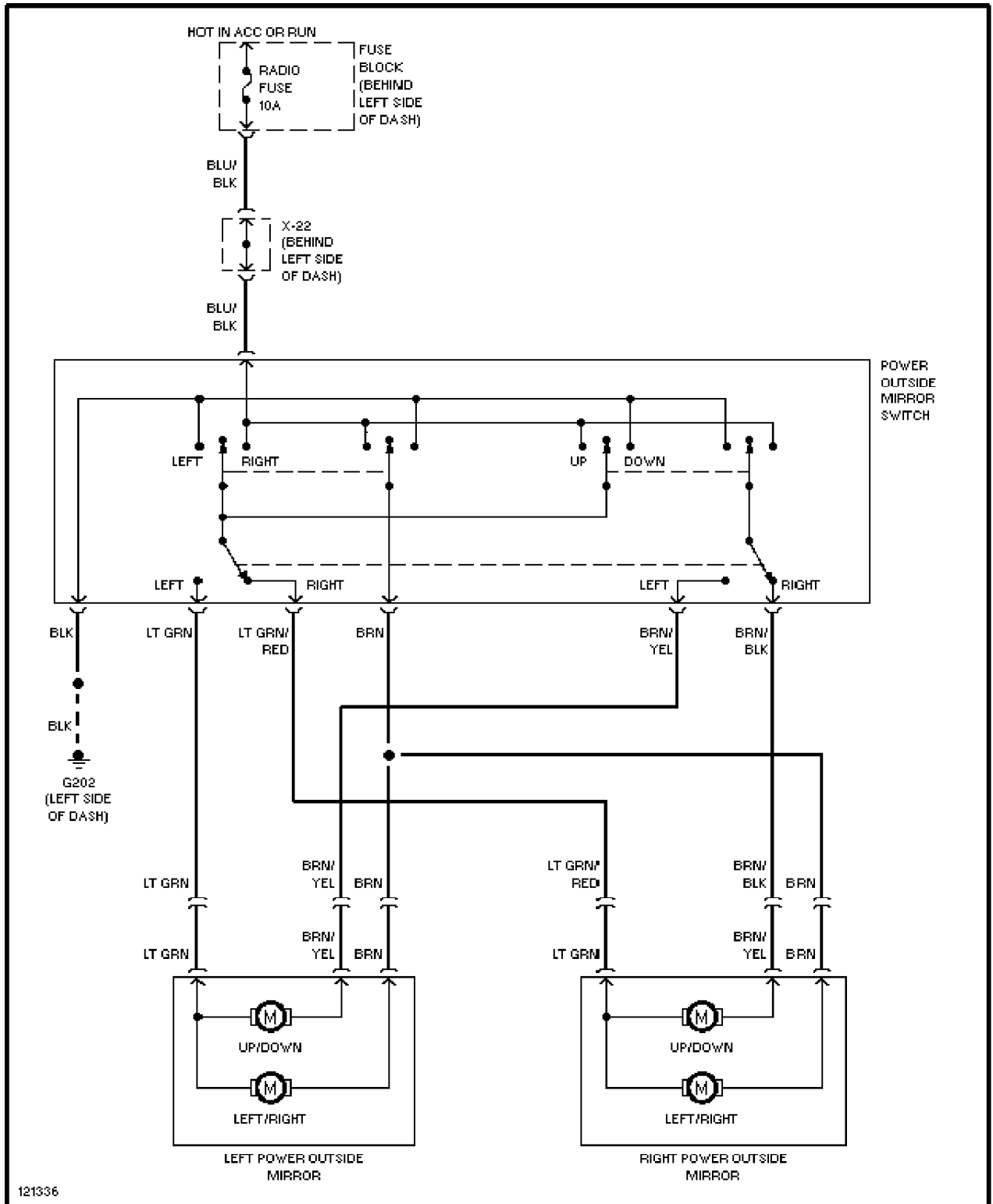
Article Text (p. 22)

1999 Mazda Miata

For Yorba Linda Miata

Copyright © 1998 Mitchell Repair Information Company, LLC

Saturday, May 10, 2003 08:51AM



Power Mirror Circuit

## POWER WINDOWS

# SYSTEM WIRING DIAGRAMS

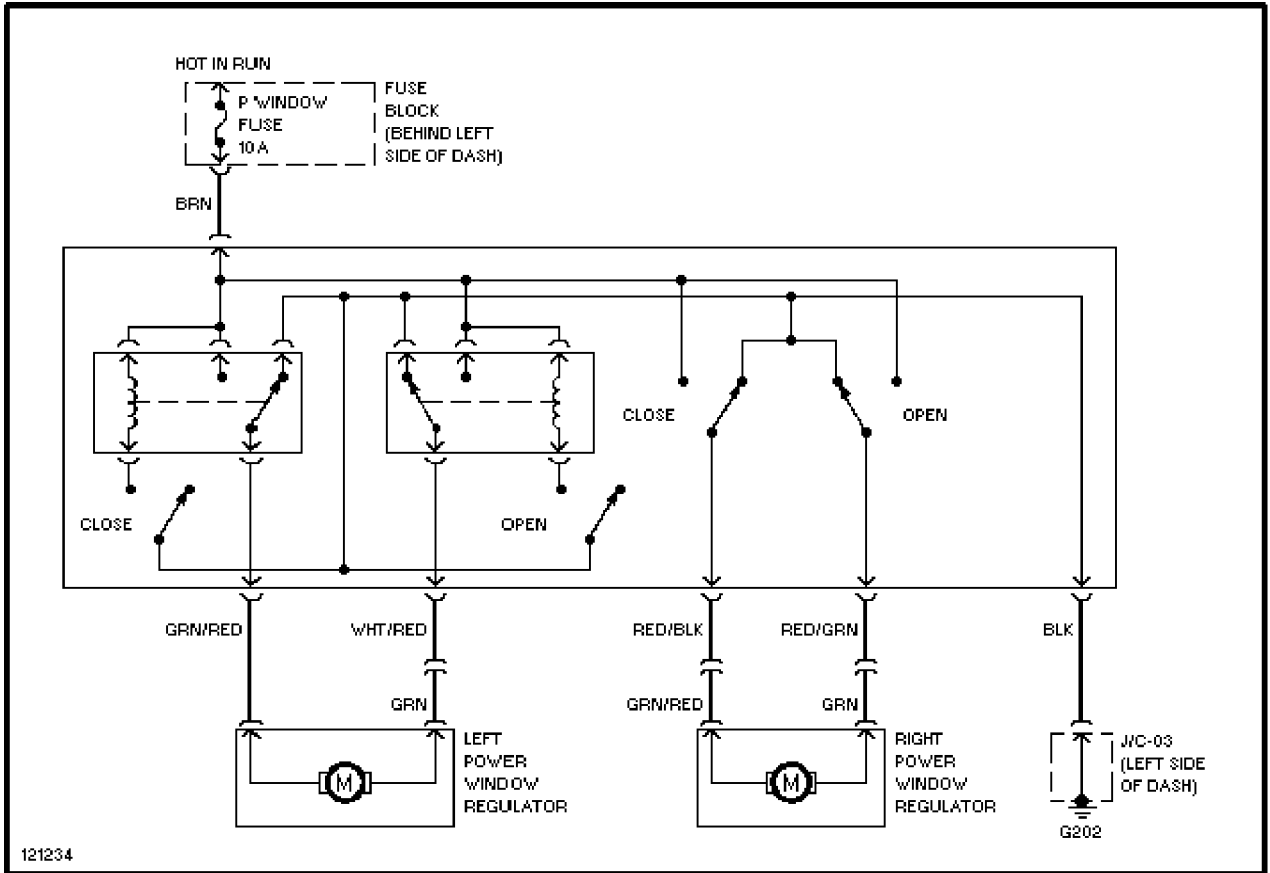
## Article Text (p. 23)

1999 Mazda Miata

For Yorba Linda Miata

Copyright © 1998 Mitchell Repair Information Company, LLC

Saturday, May 10, 2003 08:51AM



Power Window Circuit

## RADIO

# SYSTEM WIRING DIAGRAMS

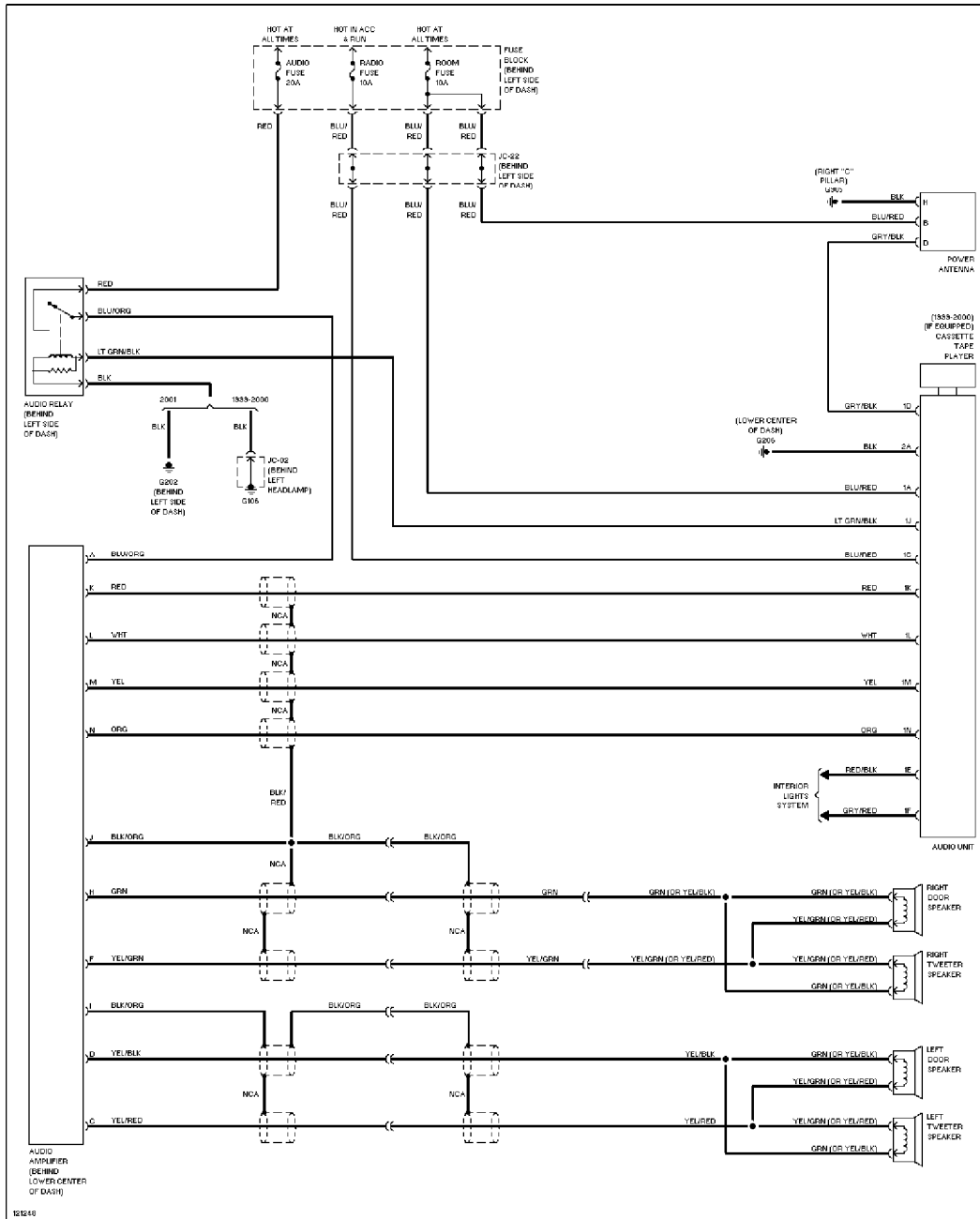
Article Text (p. 24)

1999 Mazda Miata

For Yorba Linda Miata

Copyright © 1998 Mitchell Repair Information Company, LLC

Saturday, May 10, 2003 08:51AM



Radio Circuits, Bose



# SYSTEM WIRING DIAGRAMS

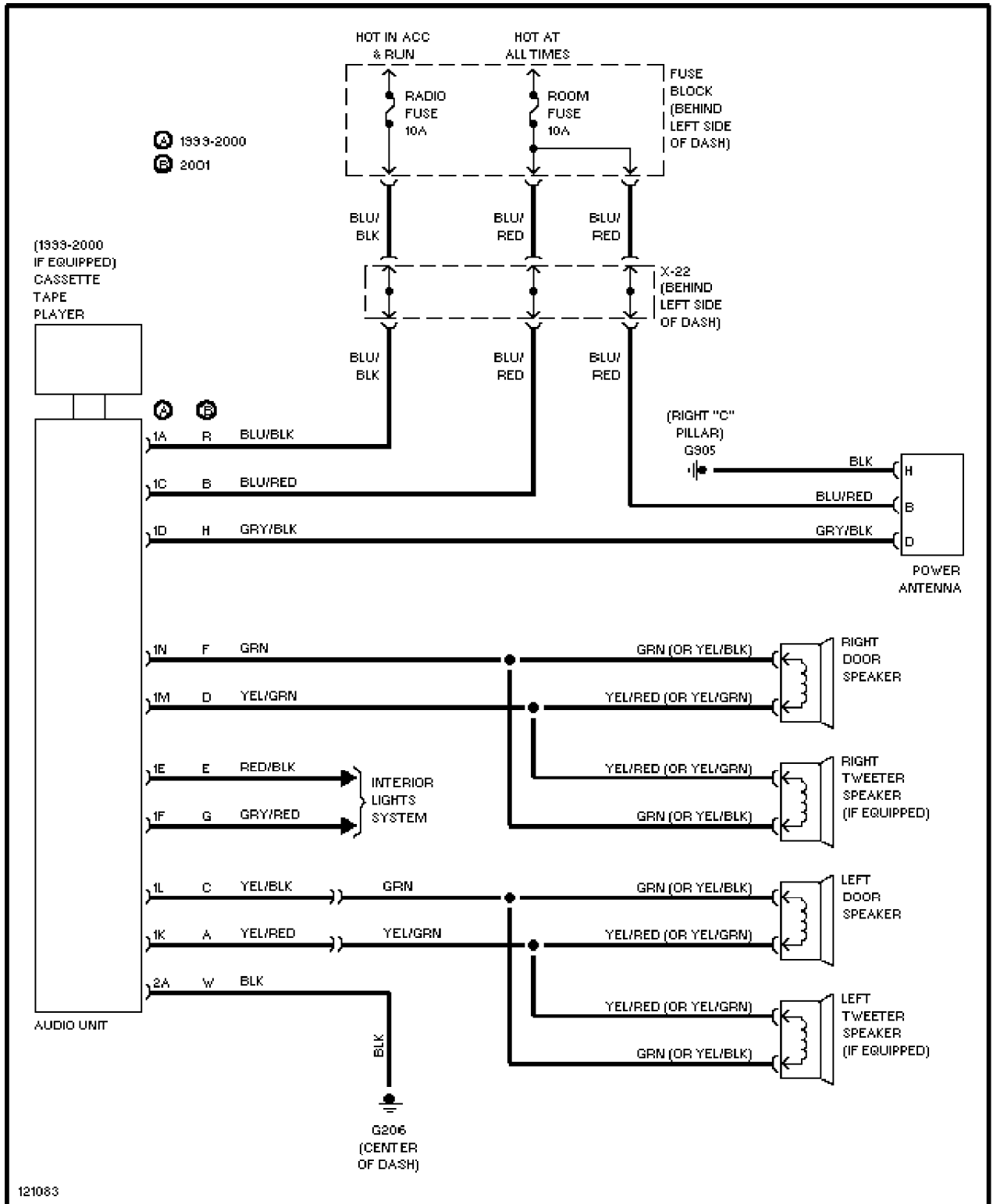
Article Text (p. 25)

1999 Mazda Miata

For Yorba Linda Miata

Copyright © 1998 Mitchell Repair Information Company, LLC

Saturday, May 10, 2003 08:51AM



Radio Circuits, Standard

## SHIFT INTERLOCKS

# SYSTEM WIRING DIAGRAMS

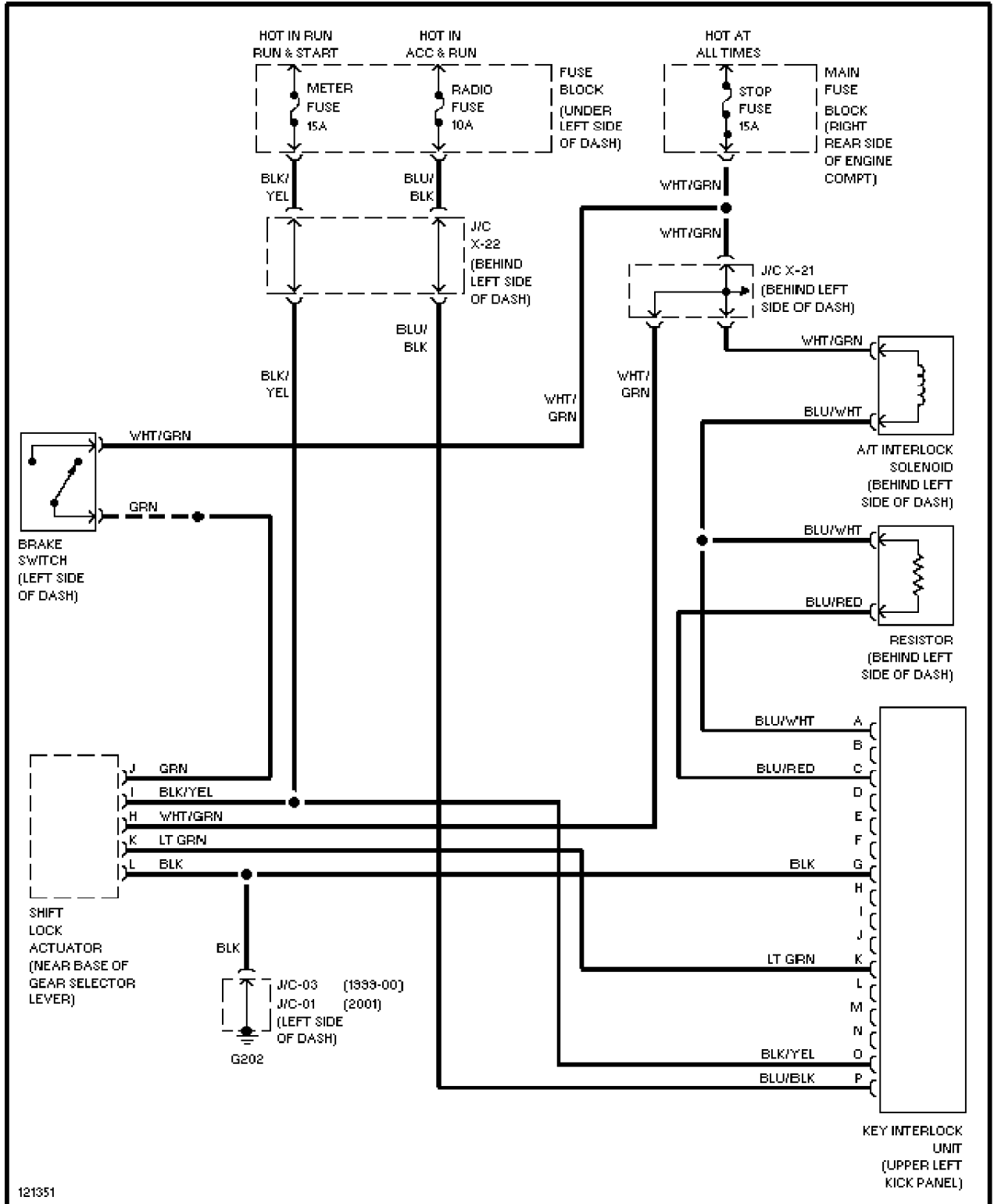
Article Text (p. 26)

1999 Mazda Miata

For Yorba Linda Miata

Copyright © 1998 Mitchell Repair Information Company, LLC

Saturday, May 10, 2003 08:51AM



Shift Interlock Circuit

# SYSTEM WIRING DIAGRAMS

Article Text (p. 27)

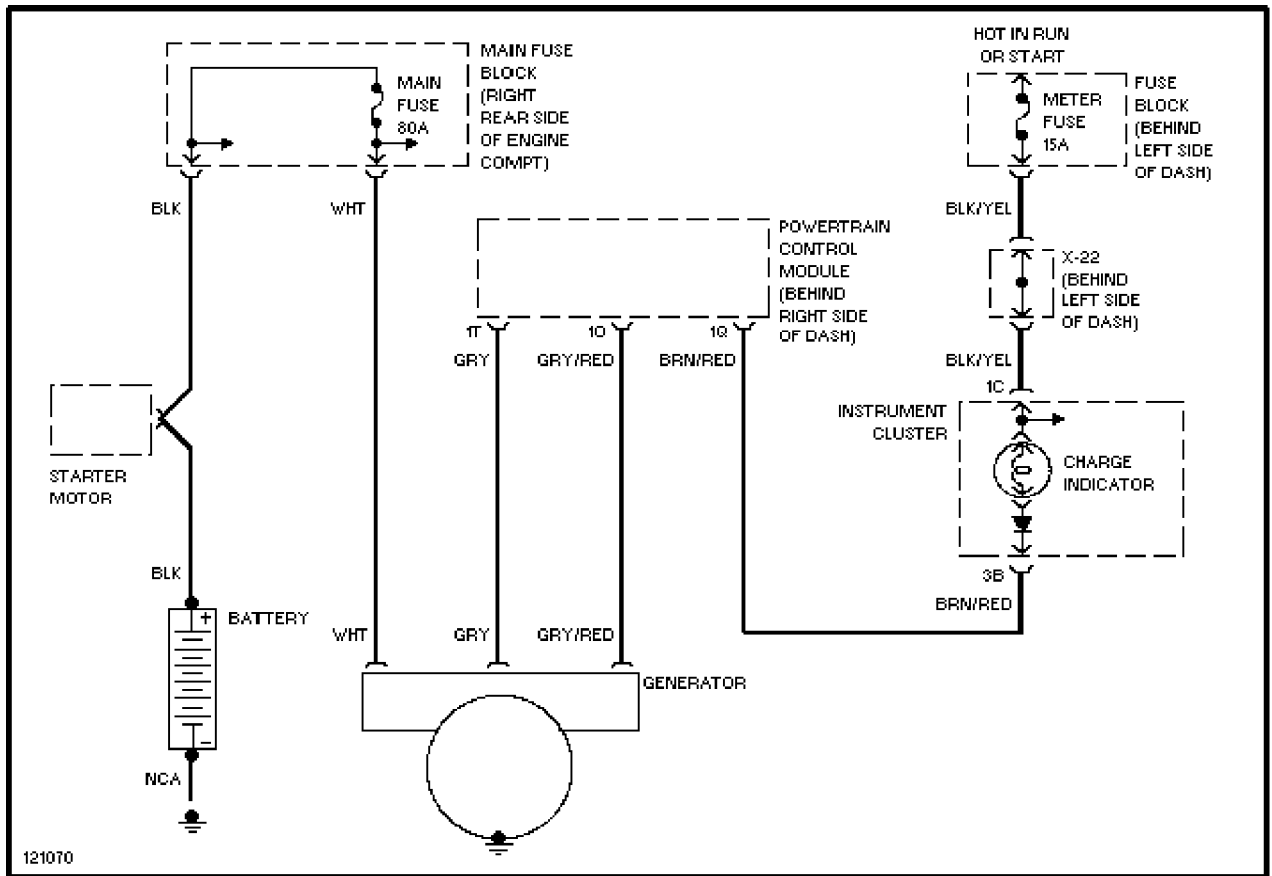
1999 Mazda Miata

For Yorba Linda Miata

Copyright © 1998 Mitchell Repair Information Company, LLC

Saturday, May 10, 2003 08:51AM

## STARTING/CHARGING



Charging Circuit

# SYSTEM WIRING DIAGRAMS

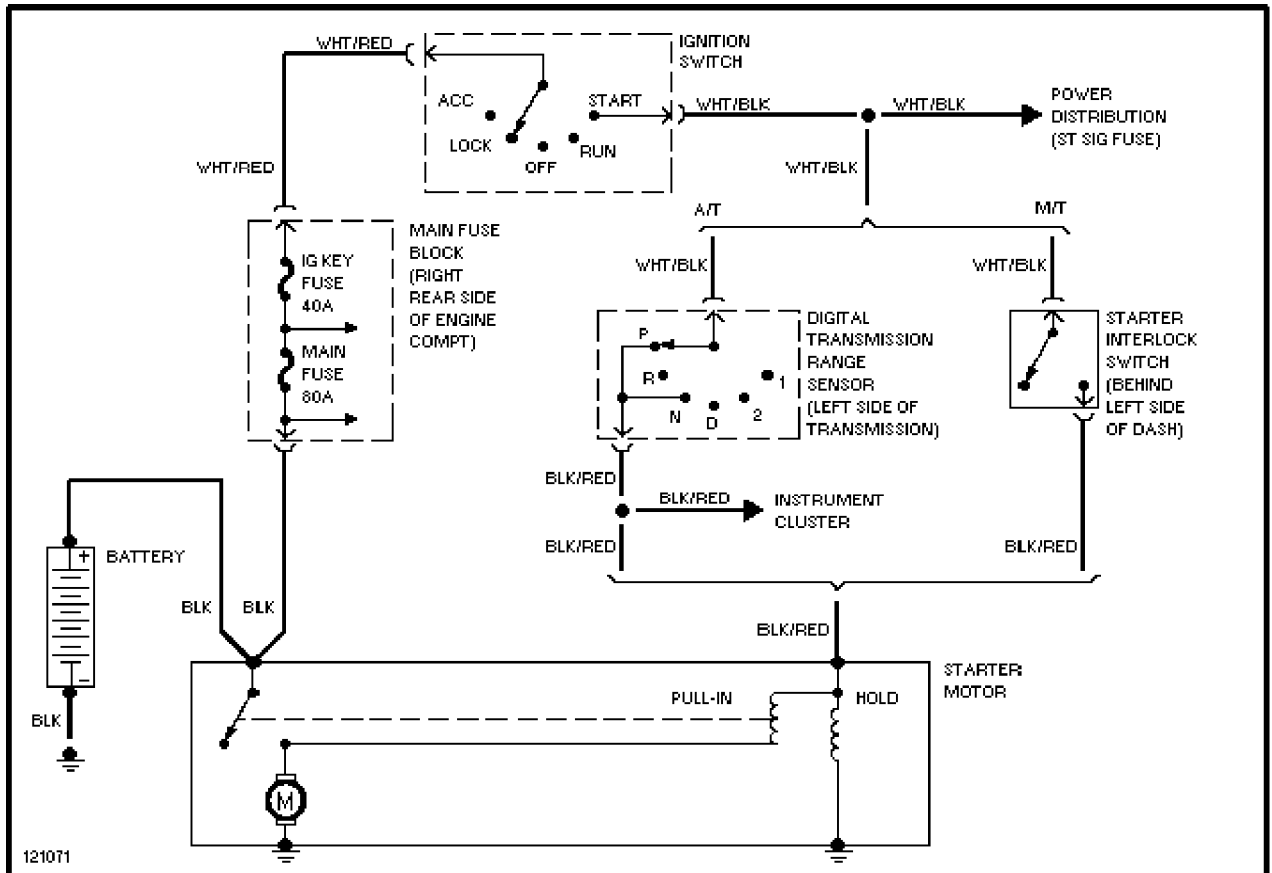
Article Text (p. 28)

1999 Mazda Miata

For Yorba Linda Miata

Copyright © 1998 Mitchell Repair Information Company, LLC

Saturday, May 10, 2003 08:51AM



Starting Circuit

## SUPPLEMENTAL RESTRAINTS

# SYSTEM WIRING DIAGRAMS

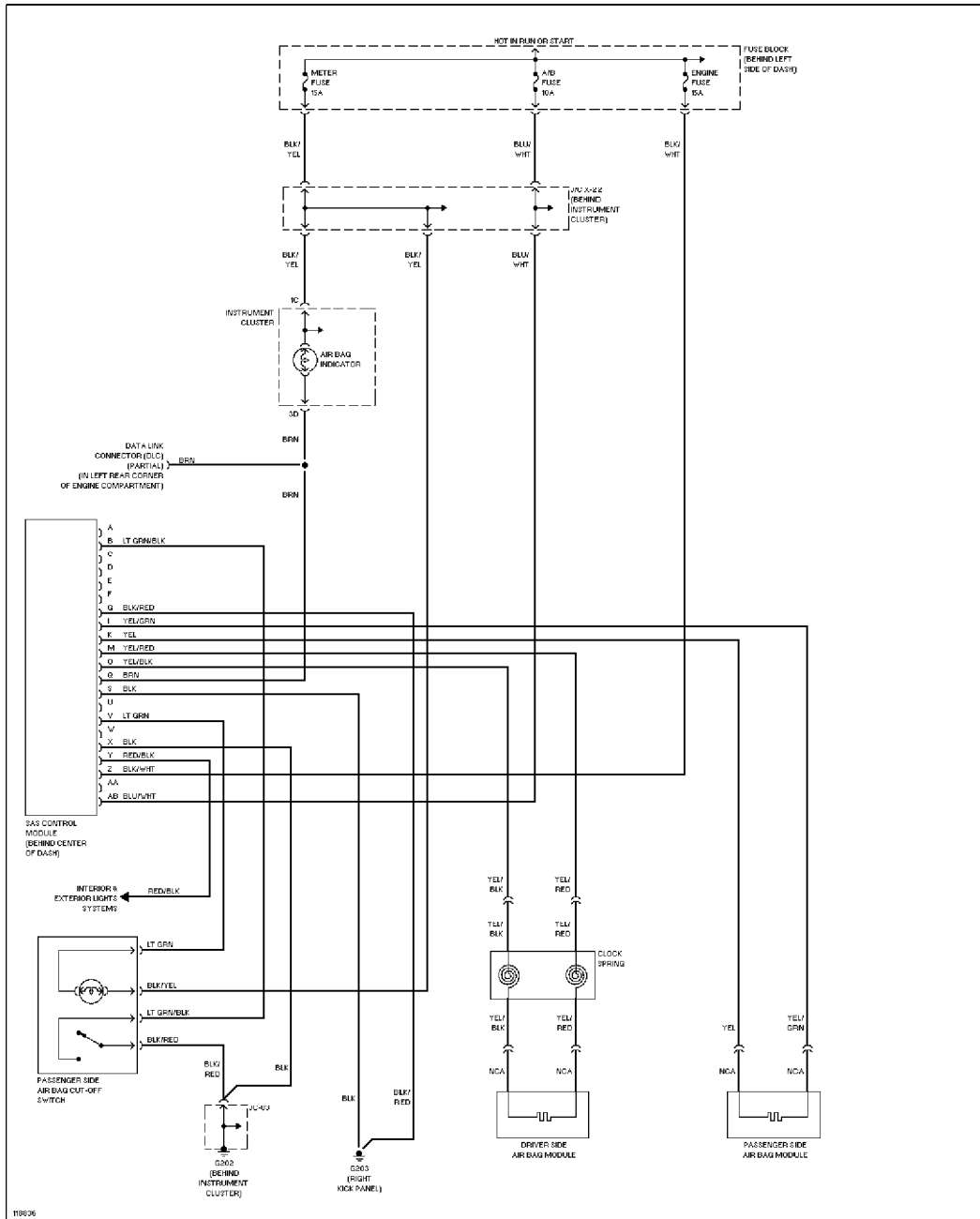
Article Text (p. 29)

1999 Mazda Miata

For Yorba Linda Miata

Copyright © 1998 Mitchell Repair Information Company, LLC

Saturday, May 10, 2003 08:51AM



Supplemental Restraint Circuit

## TRANSMISSION

# SYSTEM WIRING DIAGRAMS

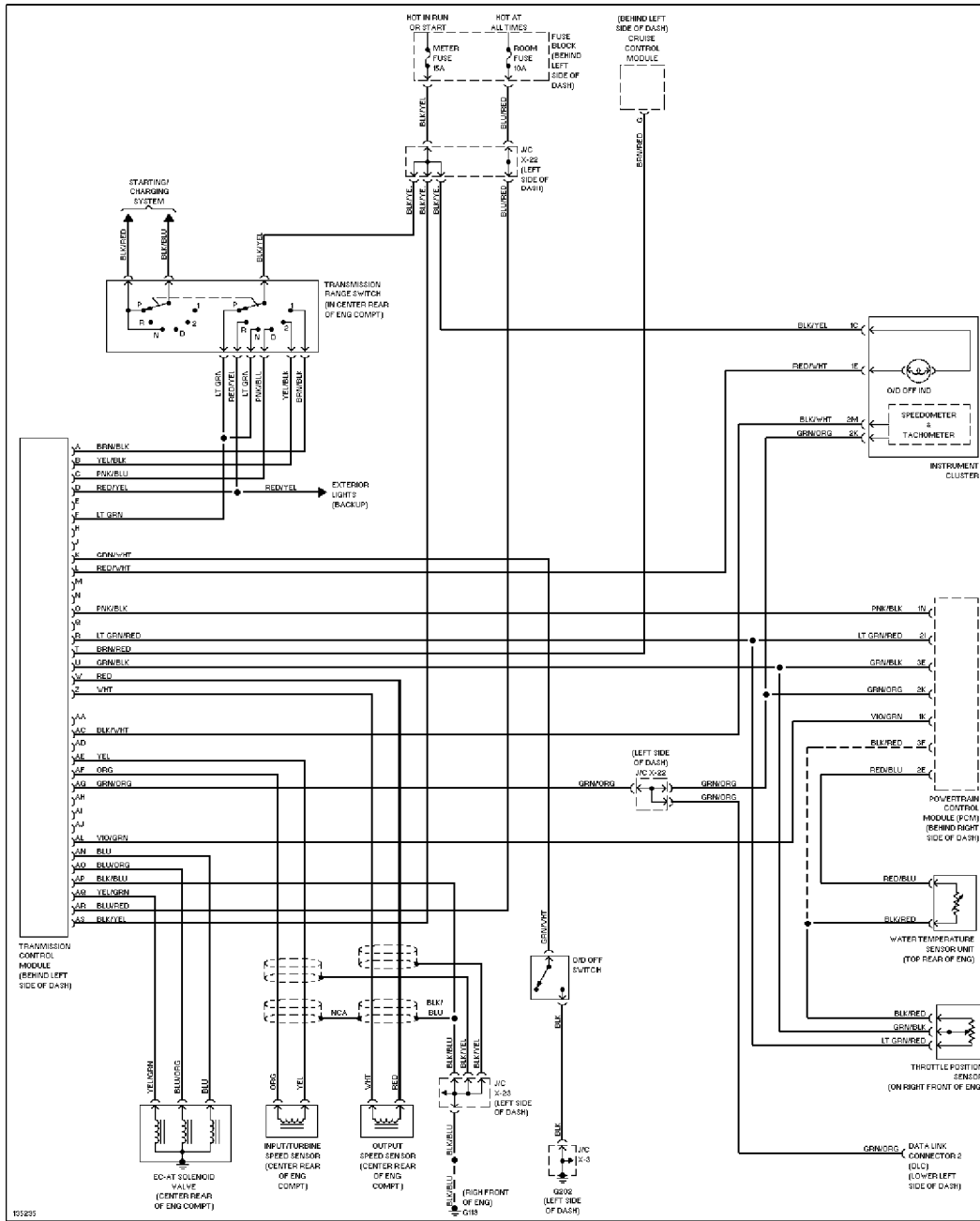
Article Text (p. 30)

1999 Mazda Miata

For Yorba Linda Miata

Copyright © 1998 Mitchell Repair Information Company, LLC

Saturday, May 10, 2003 08:51AM



A/T Circuit

## WARNING SYSTEMS

# SYSTEM WIRING DIAGRAMS

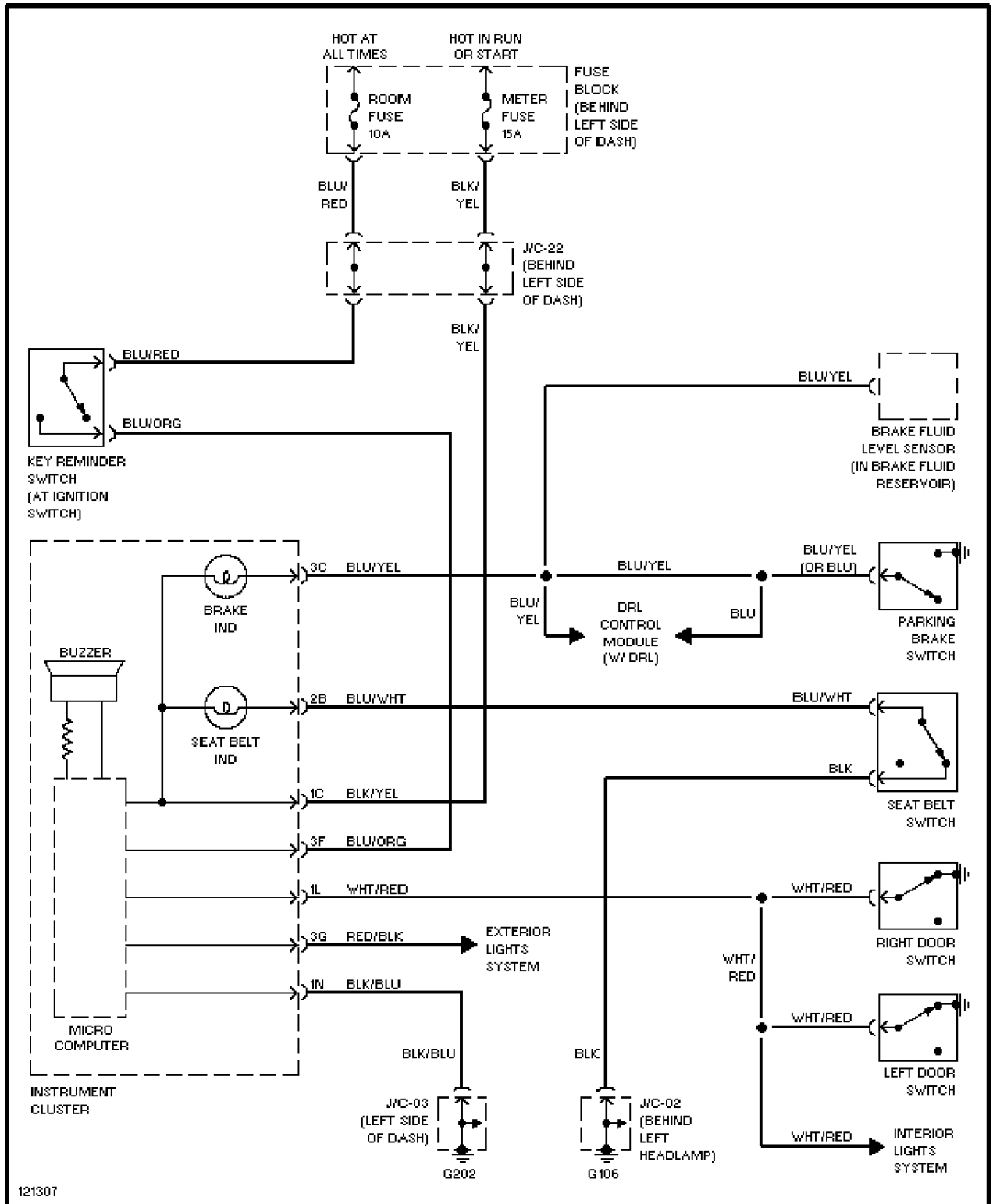
Article Text (p. 31)

1999 Mazda Miata

For Yorba Linda Miata

Copyright © 1998 Mitchell Repair Information Company, LLC

Saturday, May 10, 2003 08:51AM



Warning System Circuits

WIPER/WASHER

# SYSTEM WIRING DIAGRAMS

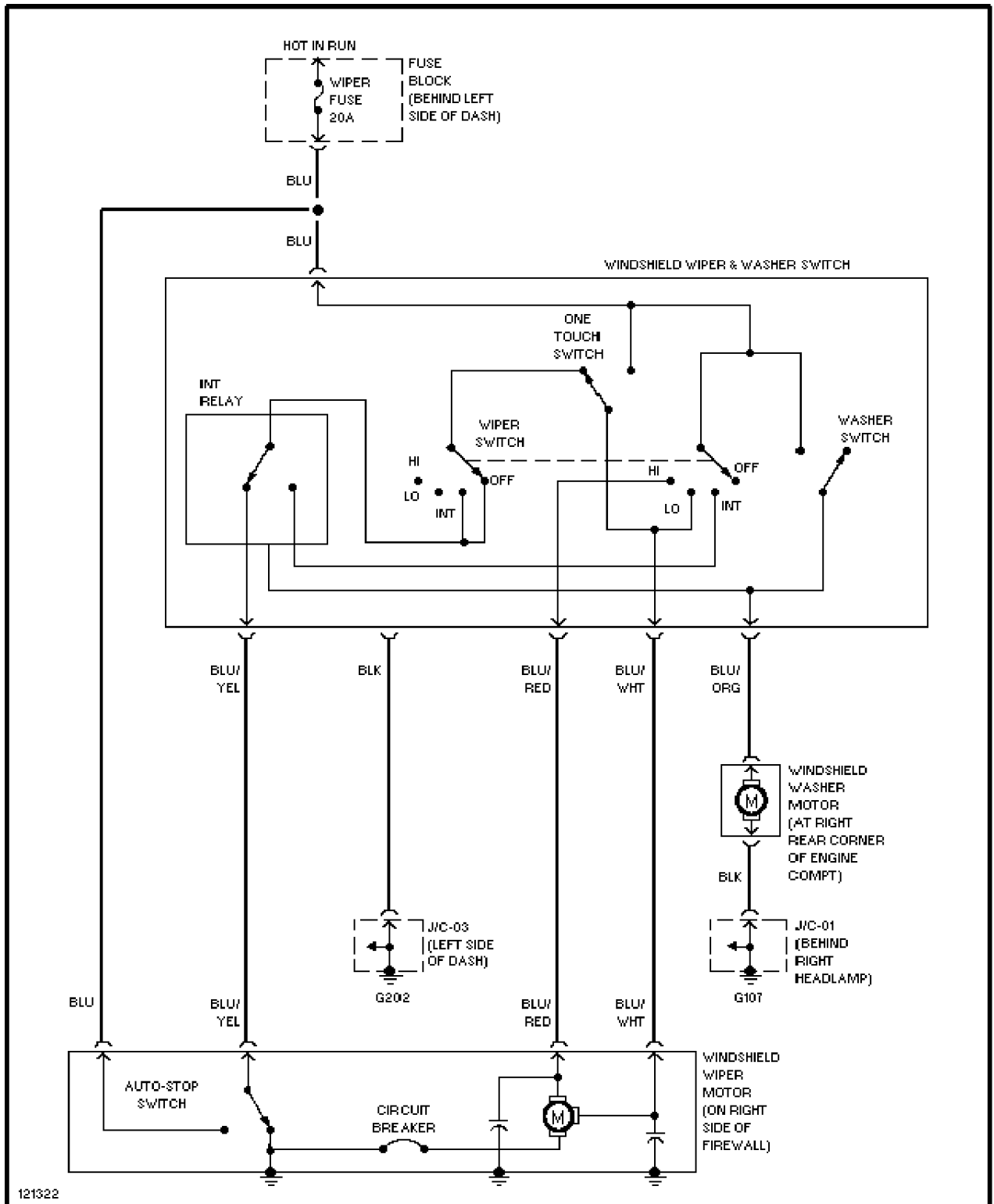
Article Text (p. 32)

1999 Mazda Miata

For Yorba Linda Miata

Copyright © 1998 Mitchell Repair Information Company, LLC

Saturday, May 10, 2003 08:51AM



Wiper/Washer Circuit

END OF ARTICLE