

L - WIRING DIAGRAMS

Article Text (p. 13)

2000 Mazda MX-5 Miata

For Yorba Linda Miata

Copyright © 1998 Mitchell Repair Information Company, LLC

Monday, May 12, 2003 01:49PM

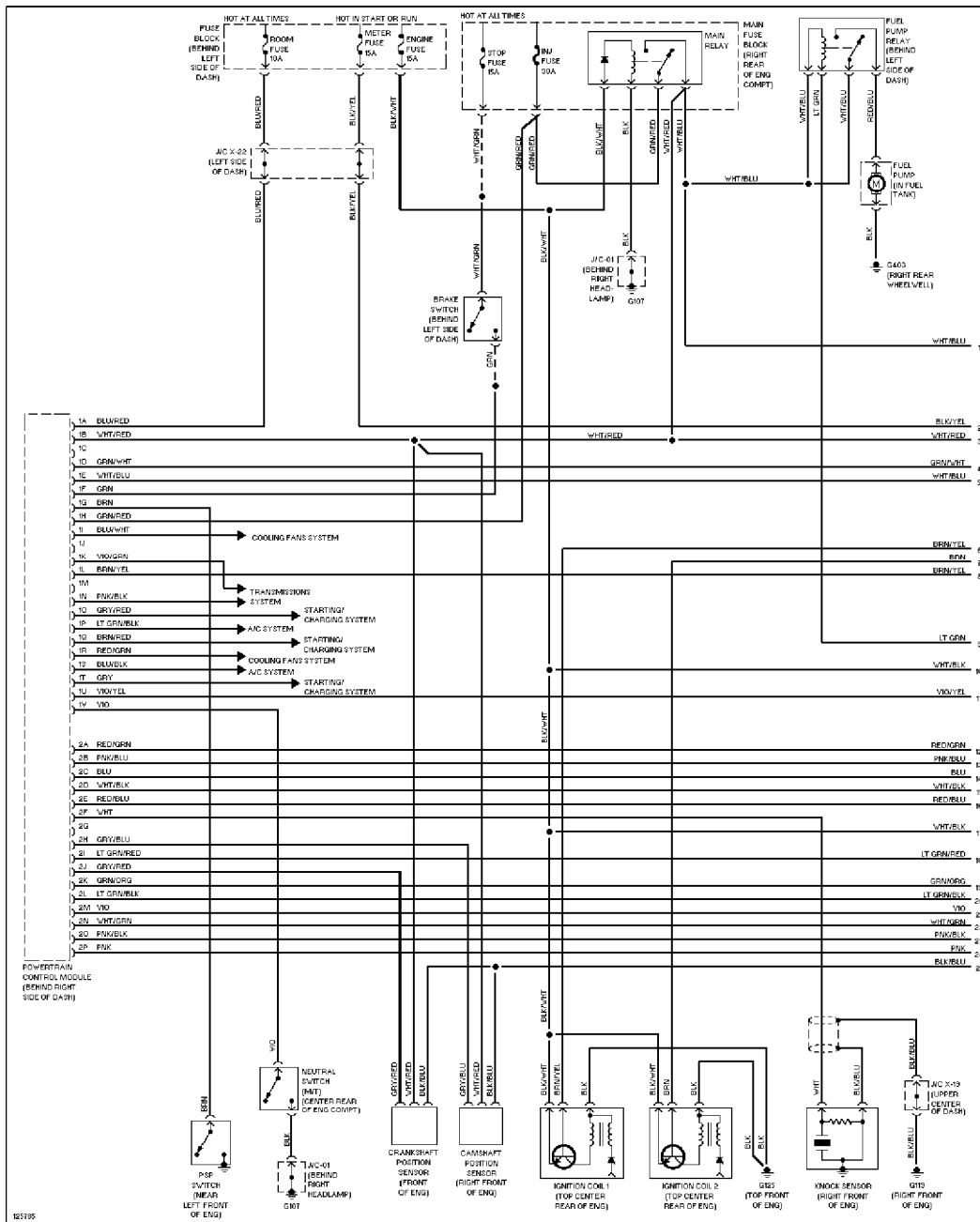


Fig. 13: Wiring Diagram (Miata 1.8L - 1 Of 3)

L - WIRING DIAGRAMS

Article Text (p. 14)

2000 Mazda MX-5 Miata

For Yorba Linda Miata

Copyright © 1998 Mitchell Repair Information Company, LLC

Monday, May 12, 2003 01:49PM

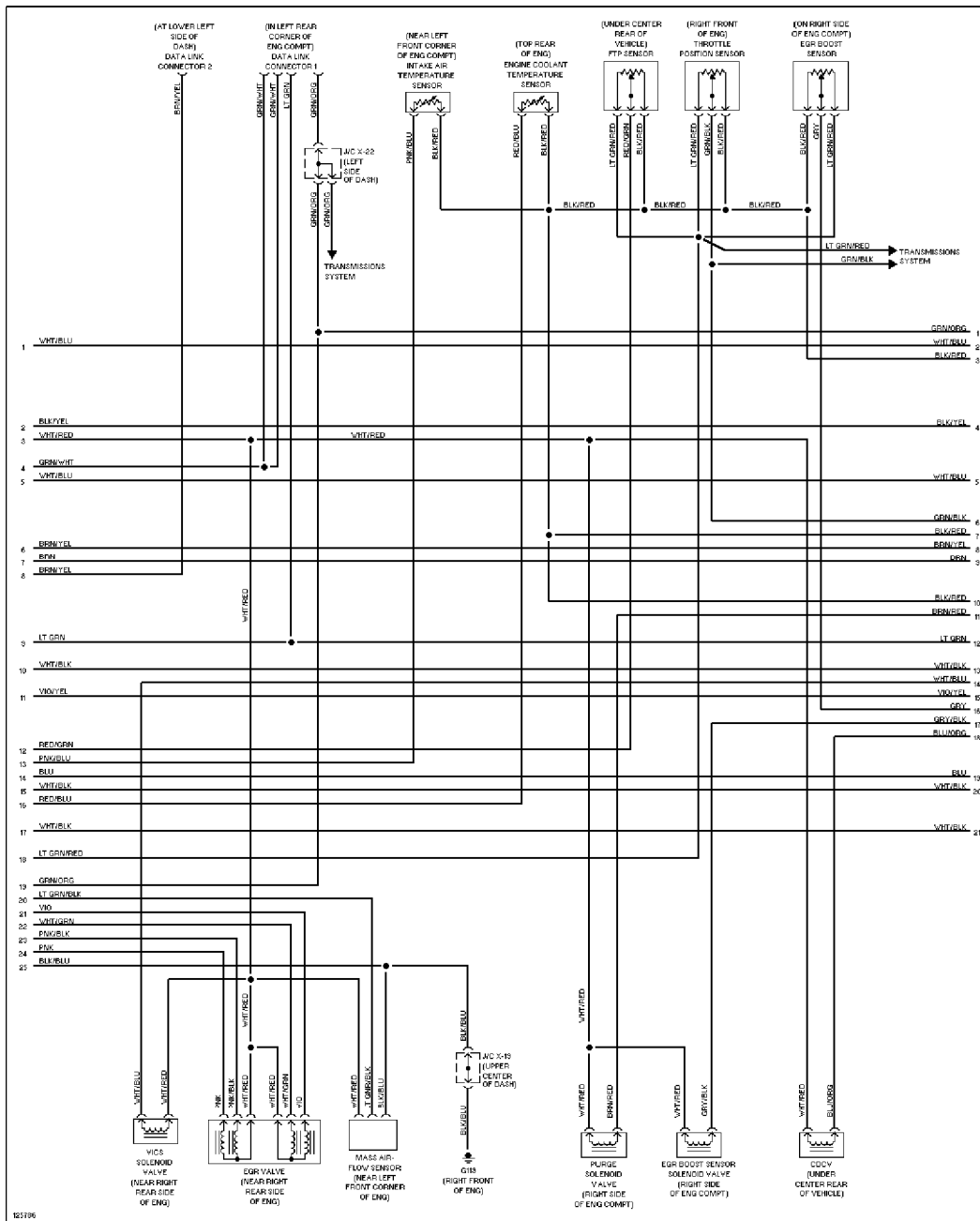


Fig. 14: Wiring Diagram (Miata 1.8L - 2 Of 3)

L - WIRING DIAGRAMS

Article Text (p. 15)

2000 Mazda MX-5 Miata

For Yorba Linda Miata

Copyright © 1998 Mitchell Repair Information Company, LLC

Monday, May 12, 2003 01:49PM

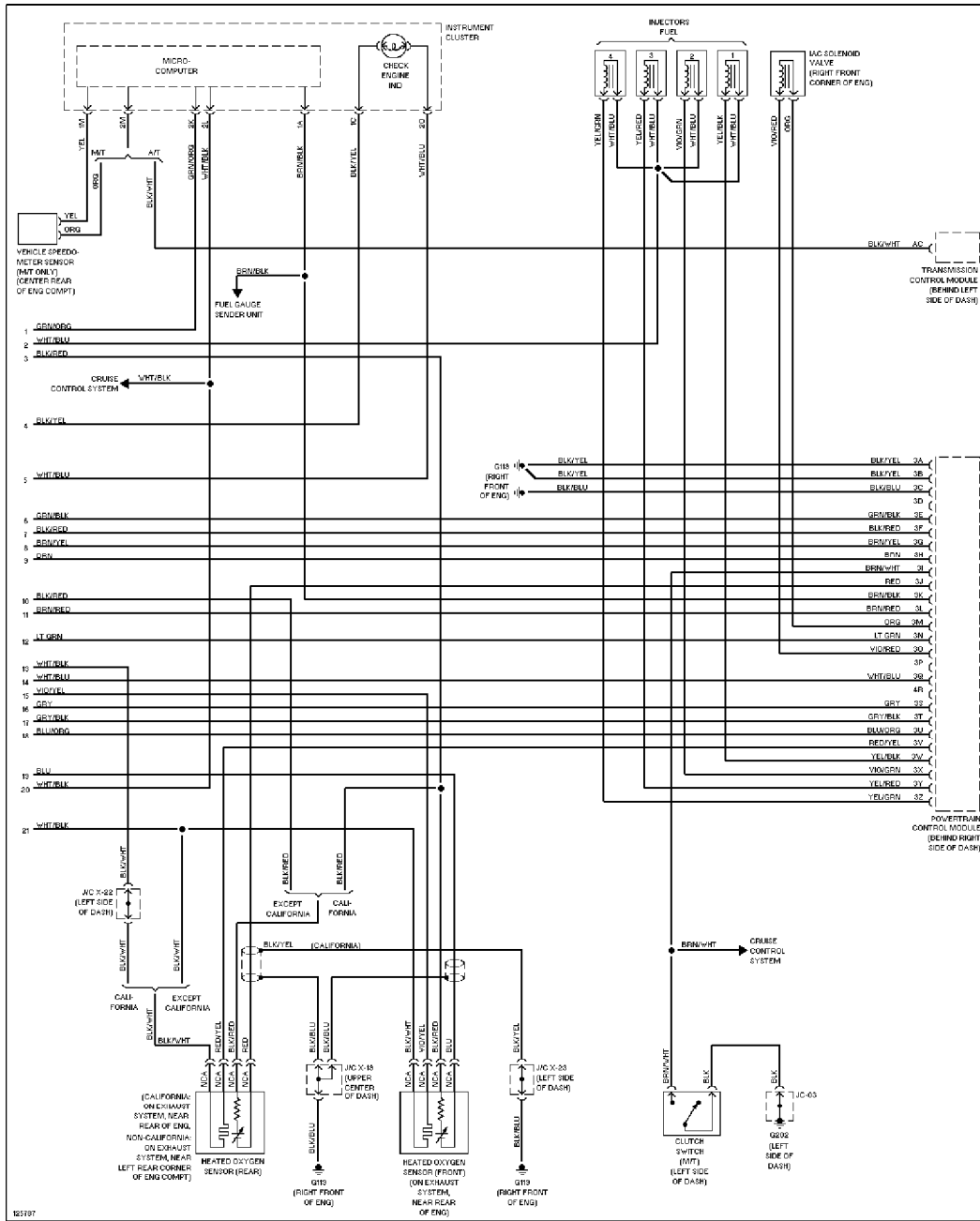


Fig. 15: Wiring Diagram (Miata 1.8L - 3 Of 3)

SYSTEM WIRING DIAGRAMS

Article Text

2000 Mazda MX-5 Miata

For Yorba Linda Miata

Copyright © 1998 Mitchell Repair Information Company, LLC

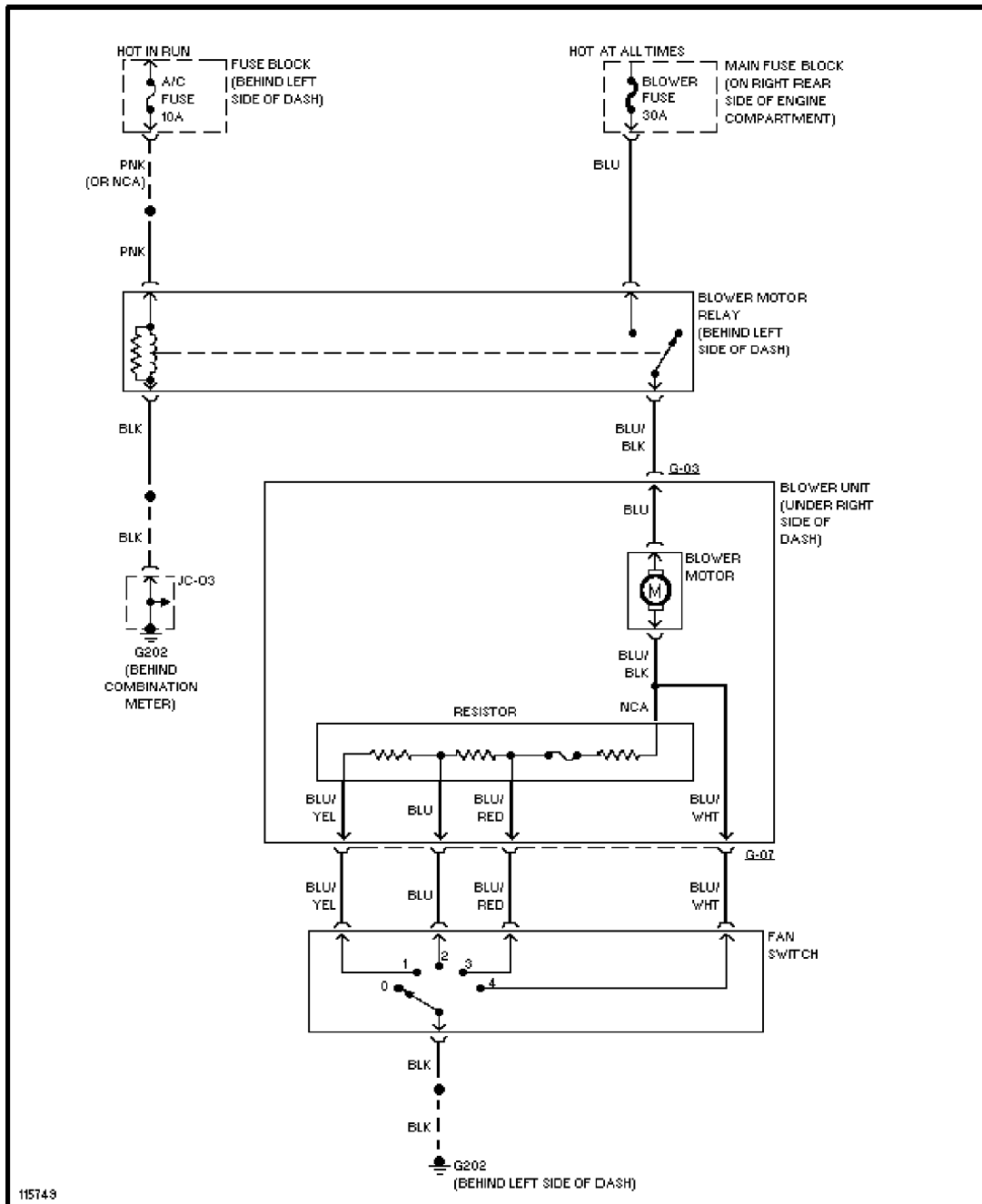
Monday, May 12, 2003 03:06PM

ARTICLE BEGINNING

2000 System Wiring Diagrams

Mazda - MX-5 Miata

AIR CONDITIONING



115749

Heater Circuit

SYSTEM WIRING DIAGRAMS

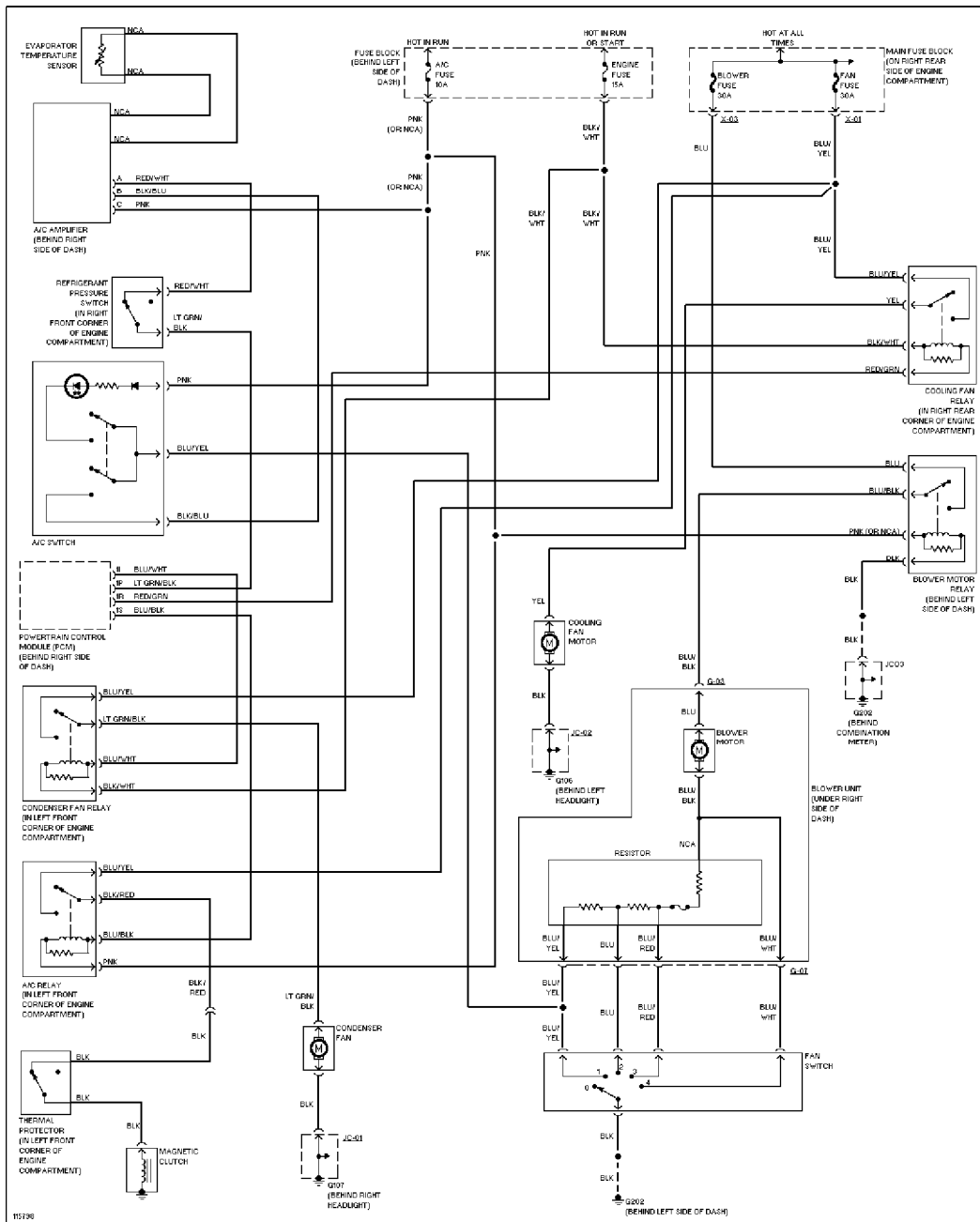
Article Text (p. 2)

2000 Mazda MX-5 Miata

For Yorba Linda Miata

Copyright © 1998 Mitchell Repair Information Company, LLC

Monday, May 12, 2003 03:06PM



Manual A/C Circuit

ANTI-LOCK BRAKES

SYSTEM WIRING DIAGRAMS

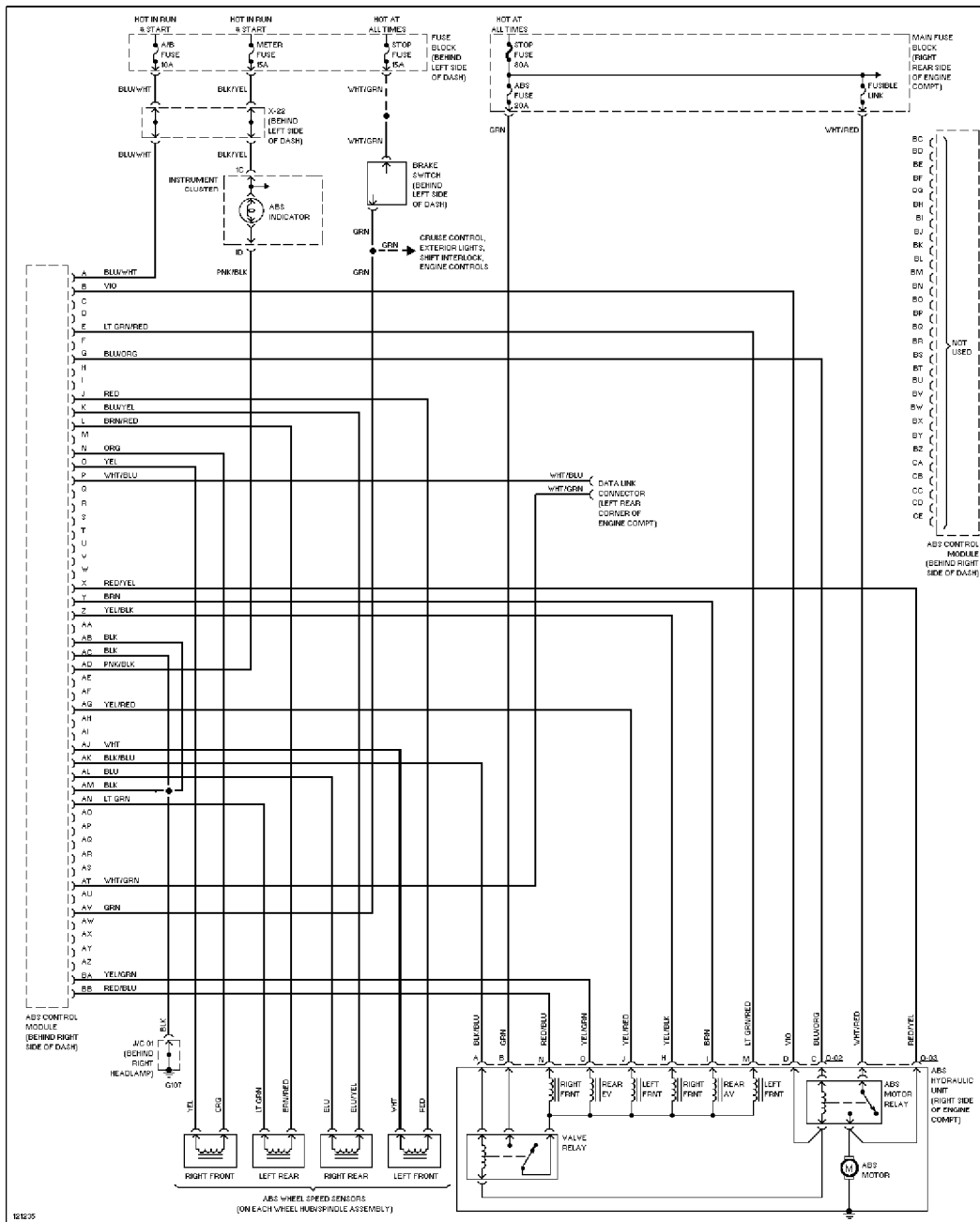
Article Text (p. 3)

2000 Mazda MX-5 Miata

For Yorba Linda Miata

Copyright © 1998 Mitchell Repair Information Company, LLC

Monday, May 12, 2003 03:06PM



Anti-lock Brake Circuits

COMPUTER DATA LINES

SYSTEM WIRING DIAGRAMS

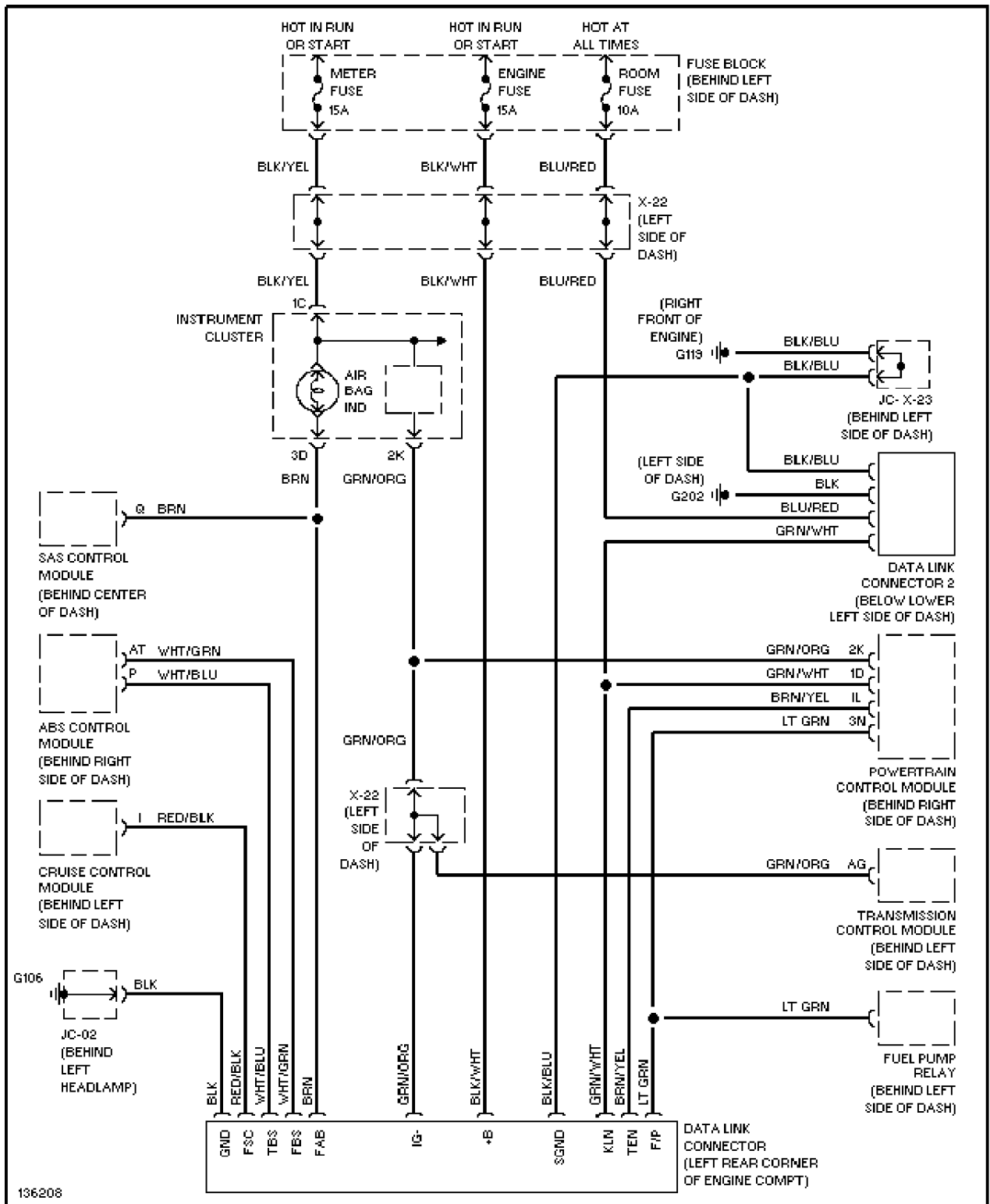
Article Text (p. 4)

2000 Mazda MX-5 Miata

For Yorba Linda Miata

Copyright © 1998 Mitchell Repair Information Company, LLC

Monday, May 12, 2003 03:06PM



136208

Computer Data Lines

COOLING FAN

SYSTEM WIRING DIAGRAMS

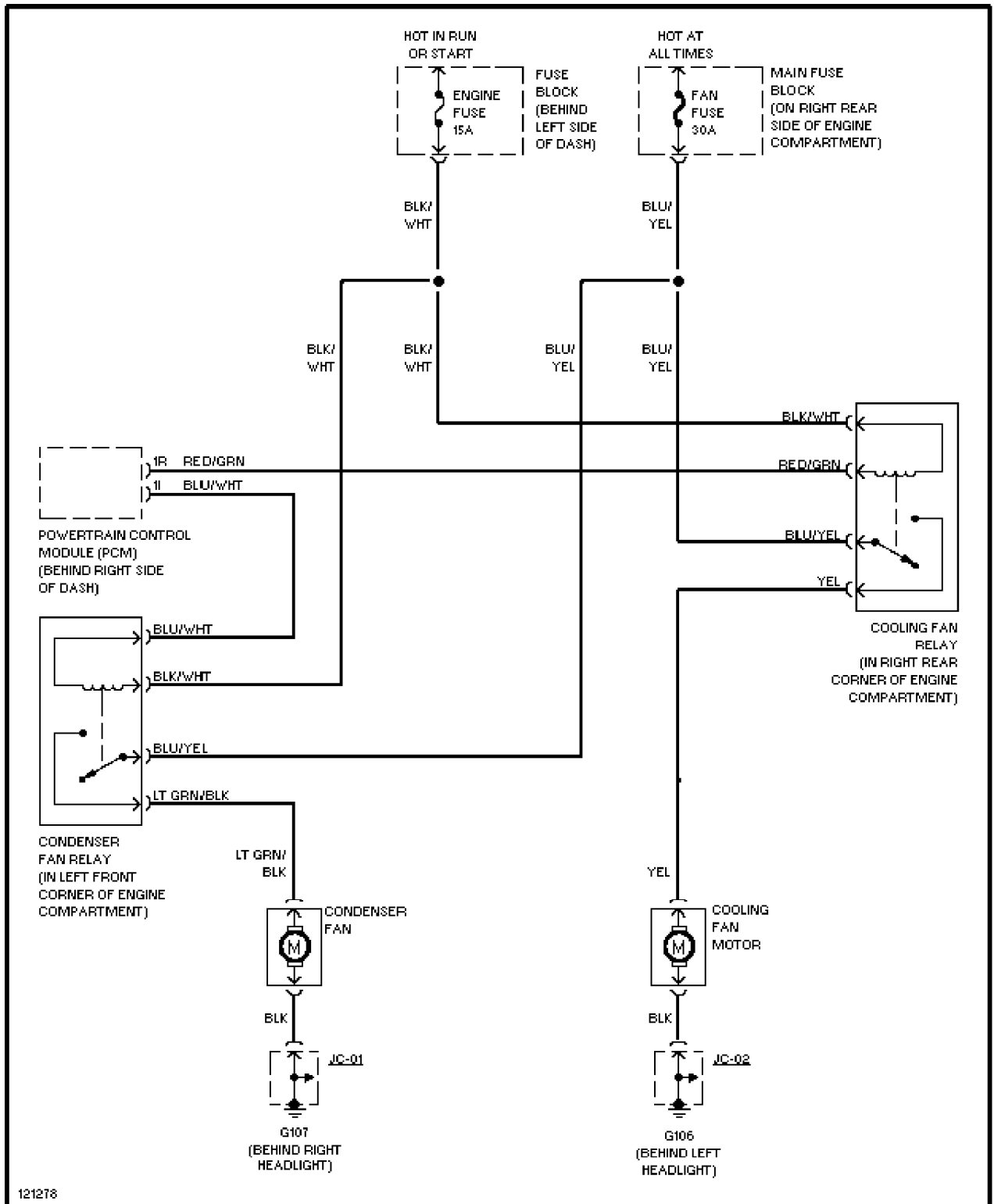
Article Text (p. 5)

2000 Mazda MX-5 Miata

For Yorba Linda Miata

Copyright © 1998 Mitchell Repair Information Company, LLC

Monday, May 12, 2003 03:06PM



Cooling Fan Circuit

SYSTEM WIRING DIAGRAMS

Article Text (p. 6)

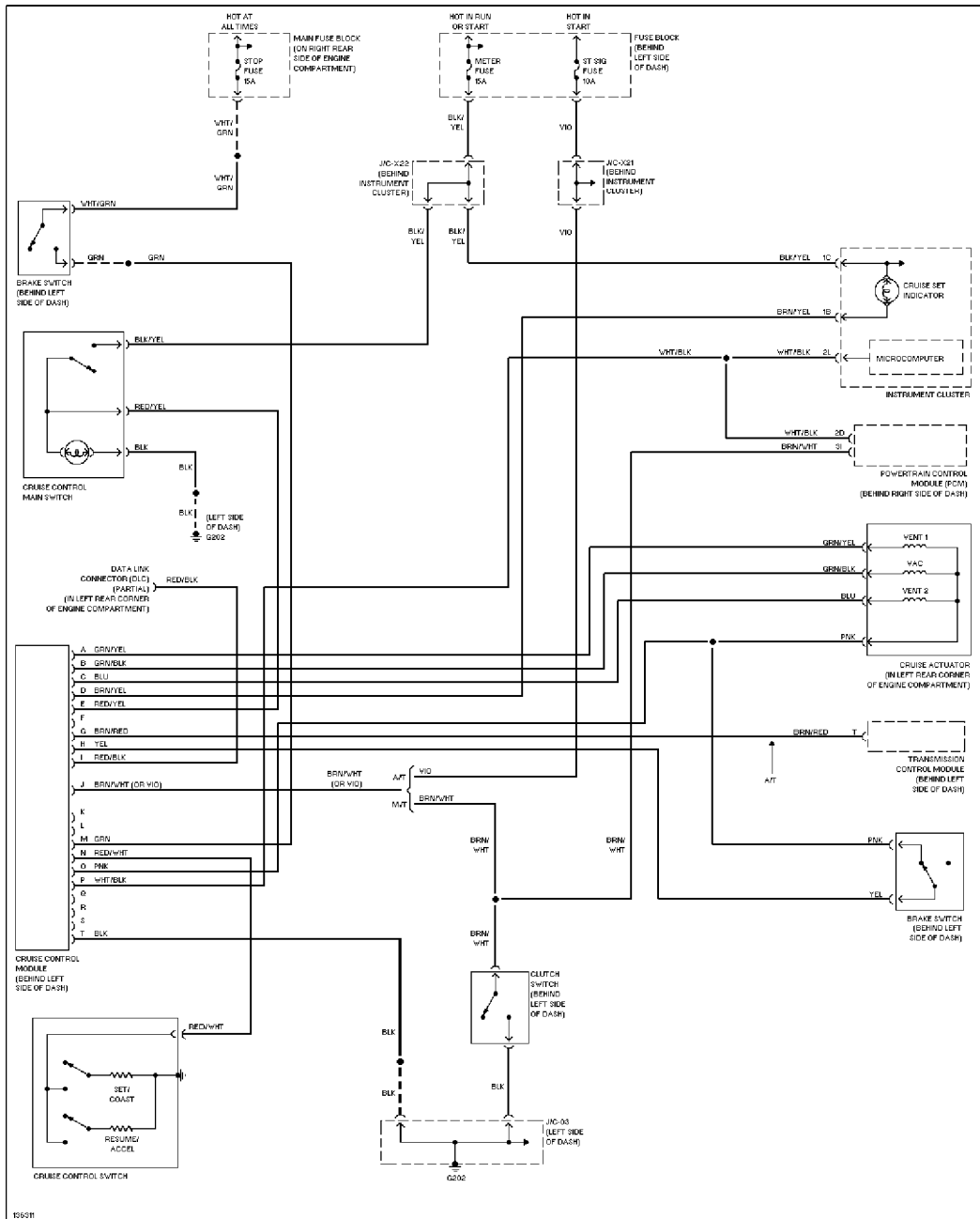
2000 Mazda MX-5 Miata

For Yorba Linda Miata

Copyright © 1998 Mitchell Repair Information Company, LLC

Monday, May 12, 2003 03:06PM

CRUISE CONTROL



Cruise Control Circuit

DEFOGGERS

SYSTEM WIRING DIAGRAMS

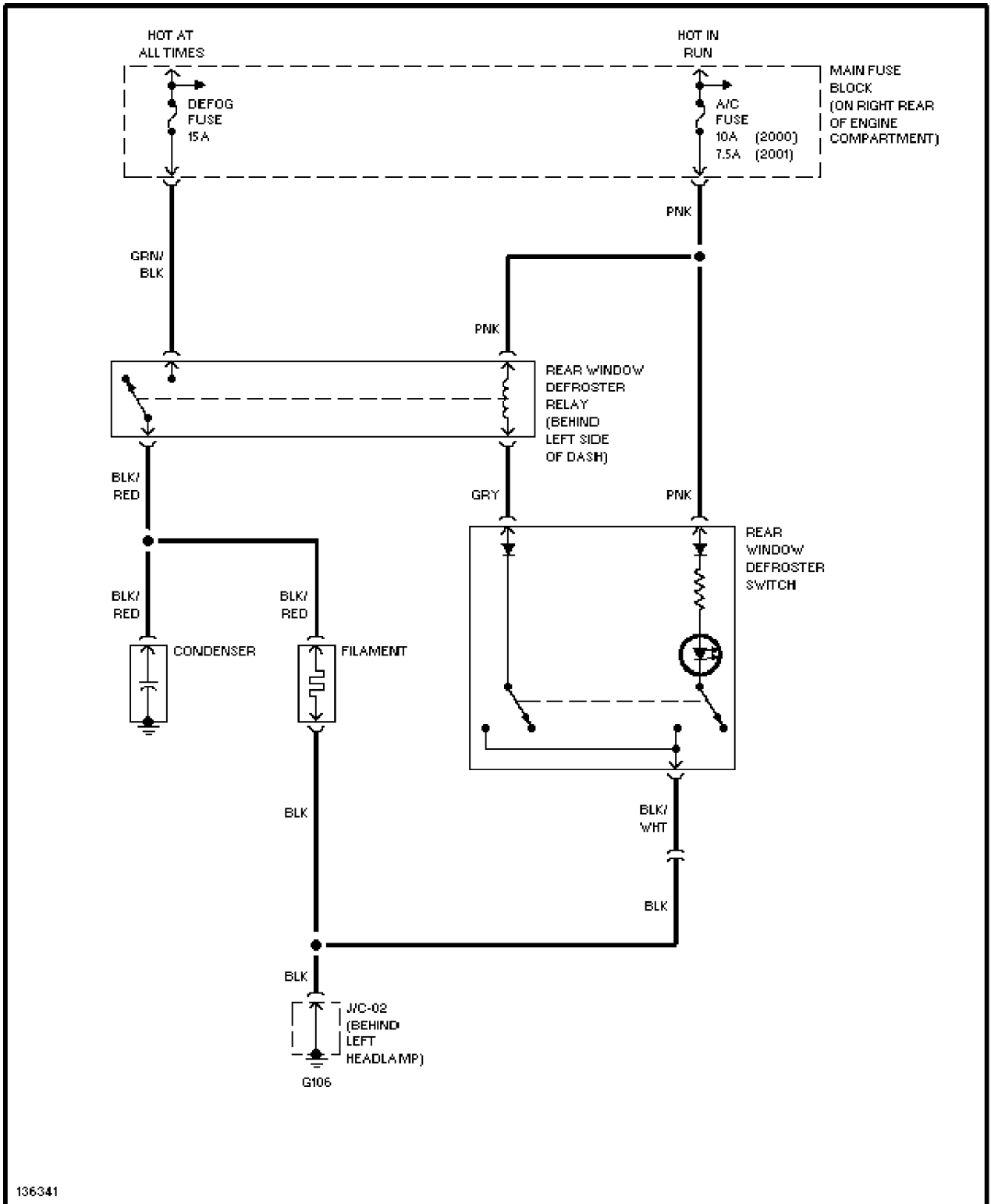
Article Text (p. 7)

2000 Mazda MX-5 Miata

For Yorba Linda Miata

Copyright © 1998 Mitchell Repair Information Company, LLC

Monday, May 12, 2003 03:06PM



Defogger Circuit

SYSTEM WIRING DIAGRAMS

Article Text (p. 8)

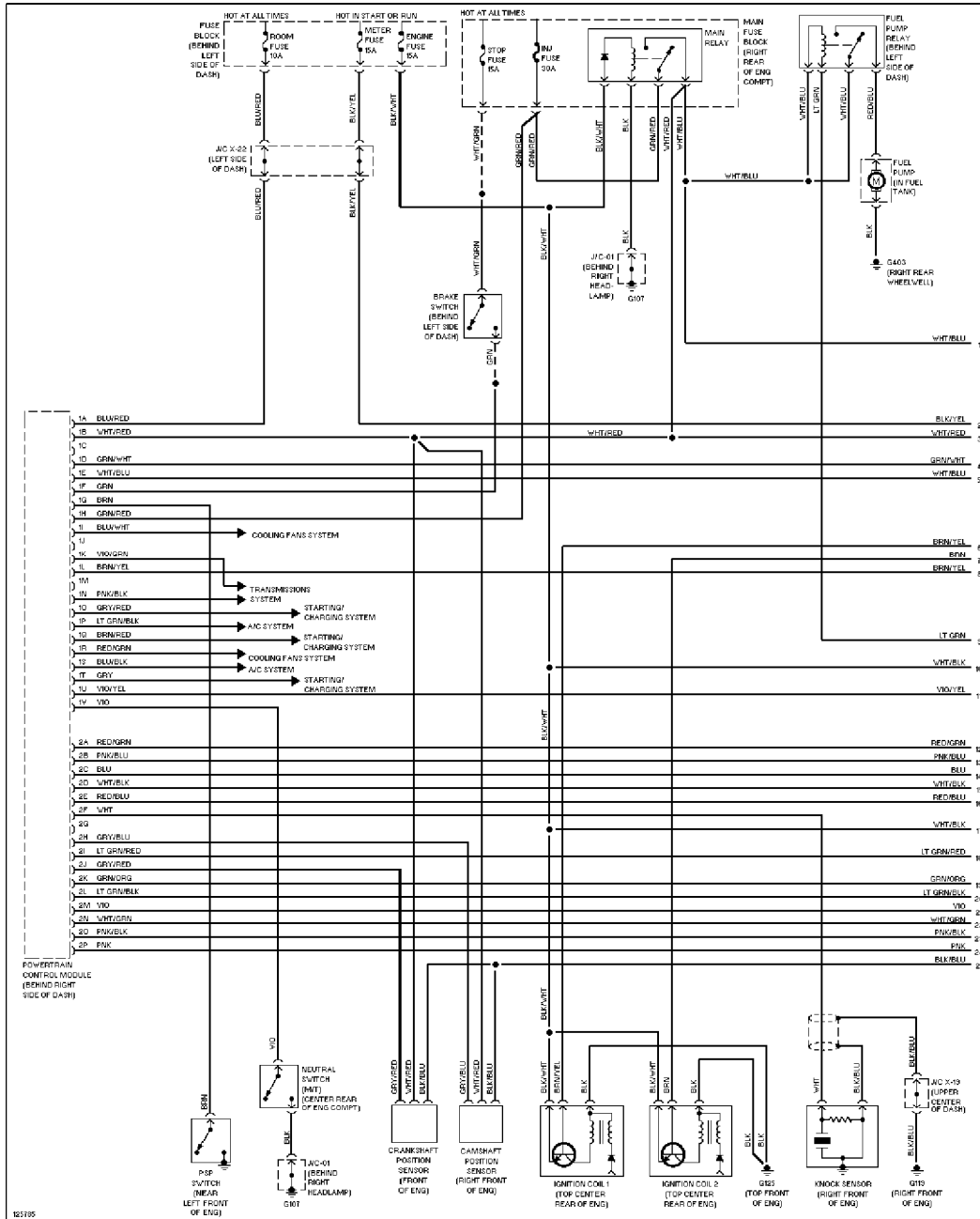
2000 Mazda MX-5 Miata

For Yorba Linda Miata

Copyright © 1998 Mitchell Repair Information Company, LLC

Monday, May 12, 2003 03:06PM

1.8L



1.8L, Engine Performance Circuits (1 of 3)

SYSTEM WIRING DIAGRAMS

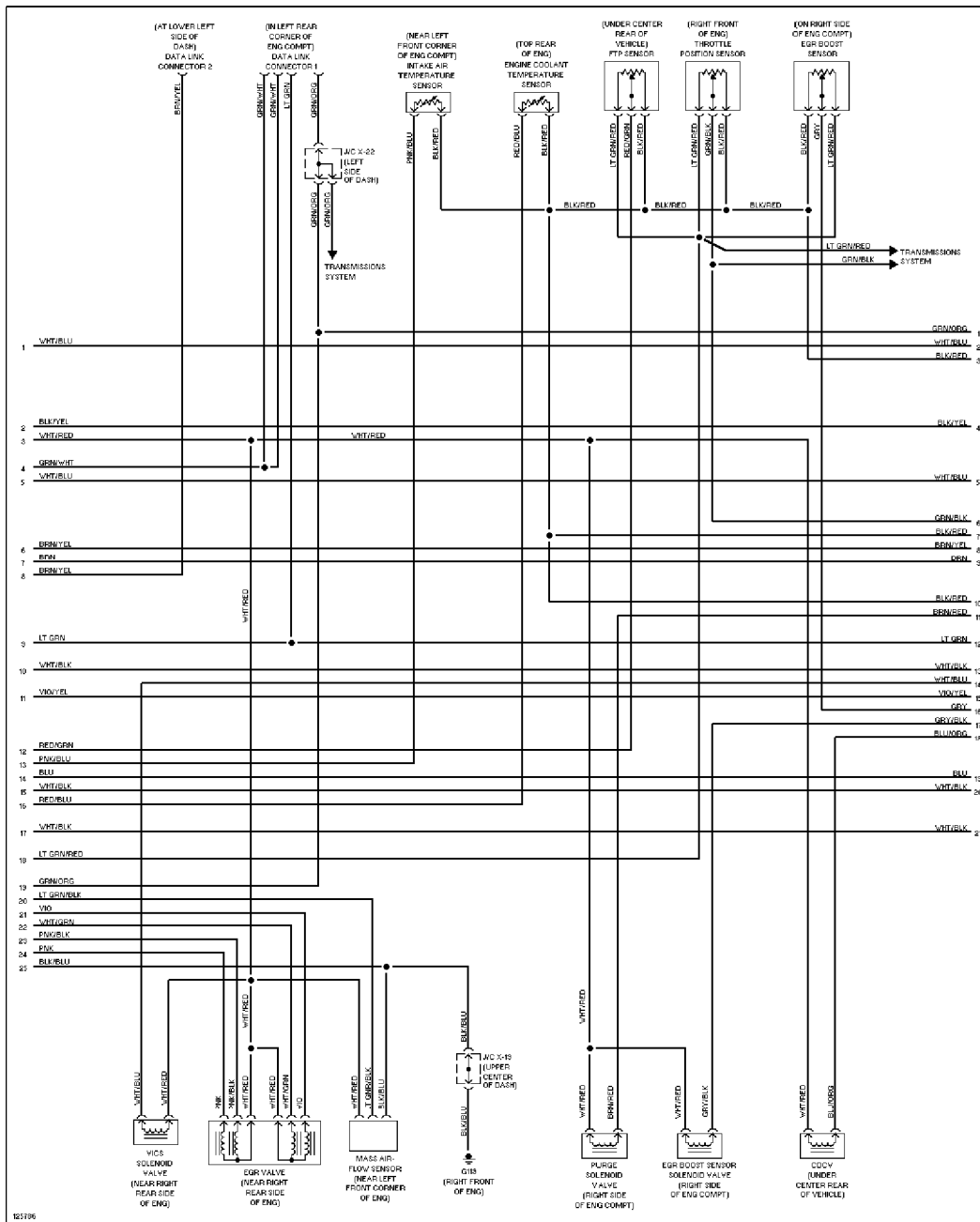
Article Text (p. 9)

2000 Mazda MX-5 Miata

For Yorba Linda Miata

Copyright © 1998 Mitchell Repair Information Company, LLC

Monday, May 12, 2003 03:06PM



1.8L, Engine Performance Circuits (2 of 3)

SYSTEM WIRING DIAGRAMS

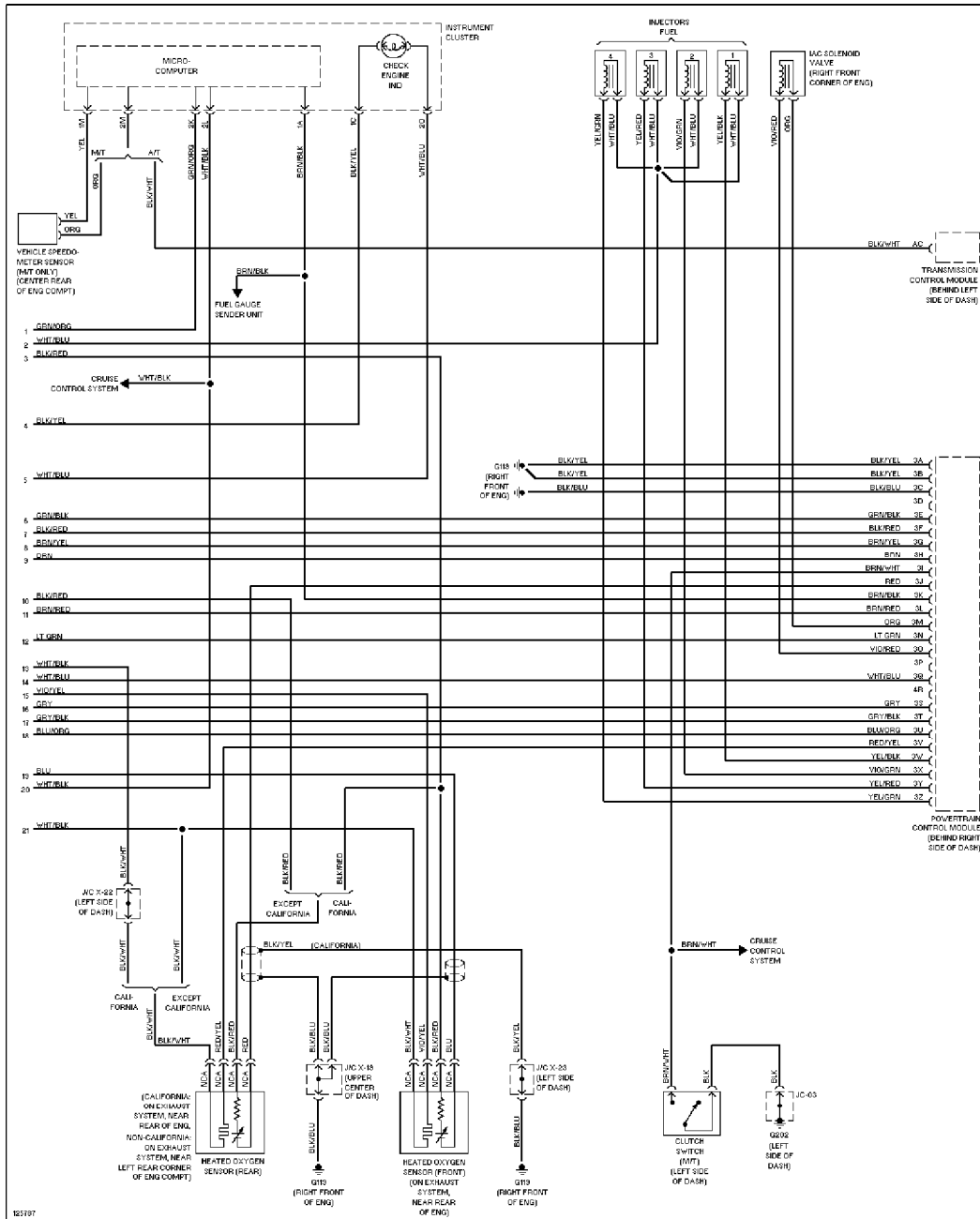
Article Text (p. 10)

2000 Mazda MX-5 Miata

For Yorba Linda Miata

Copyright © 1998 Mitchell Repair Information Company, LLC

Monday, May 12, 2003 03:06PM



1.8L, Engine Performance Circuits (3 of 3)

EXTERIOR LIGHTS

SYSTEM WIRING DIAGRAMS

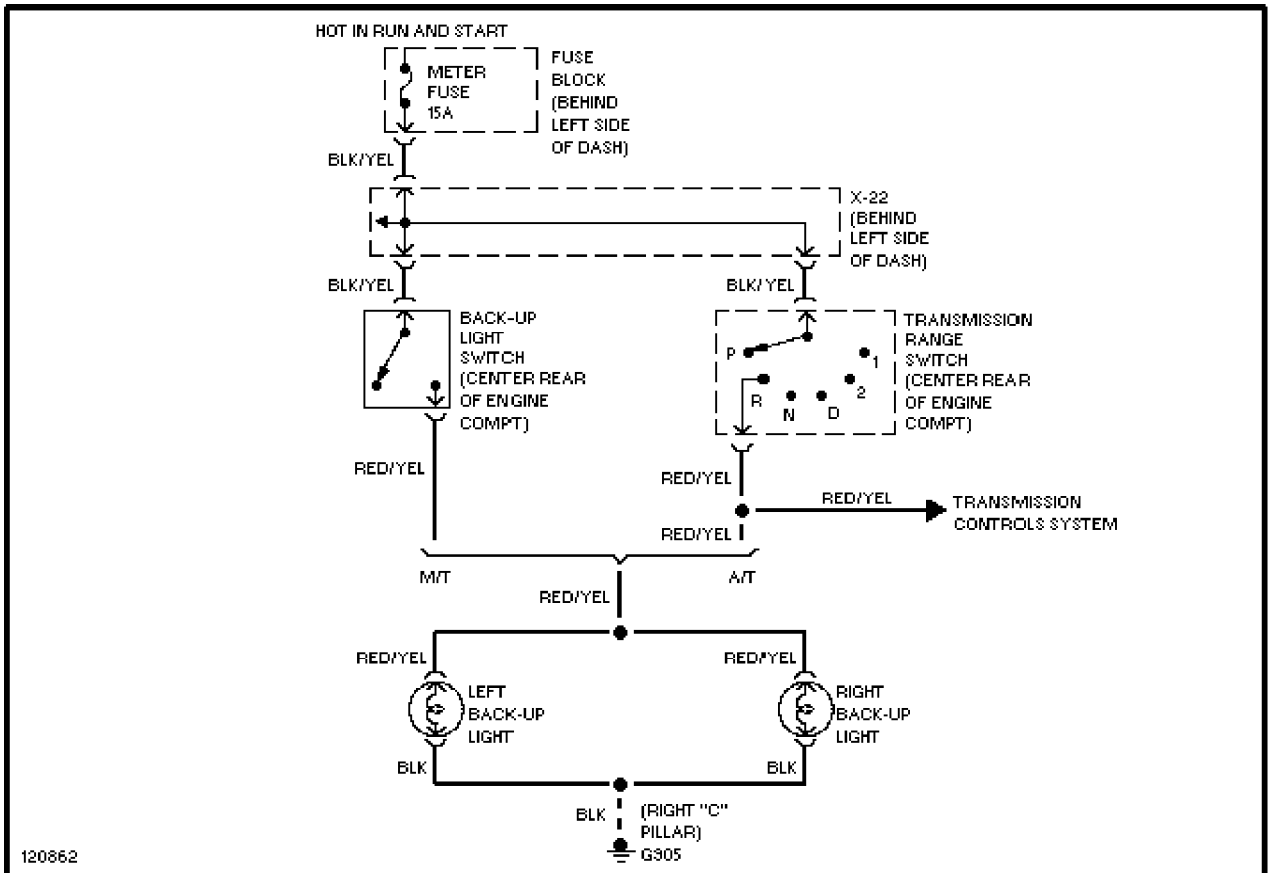
Article Text (p. 11)

2000 Mazda MX-5 Miata

For Yorba Linda Miata

Copyright © 1998 Mitchell Repair Information Company, LLC

Monday, May 12, 2003 03:06PM



Backup Lamps Circuit

SYSTEM WIRING DIAGRAMS

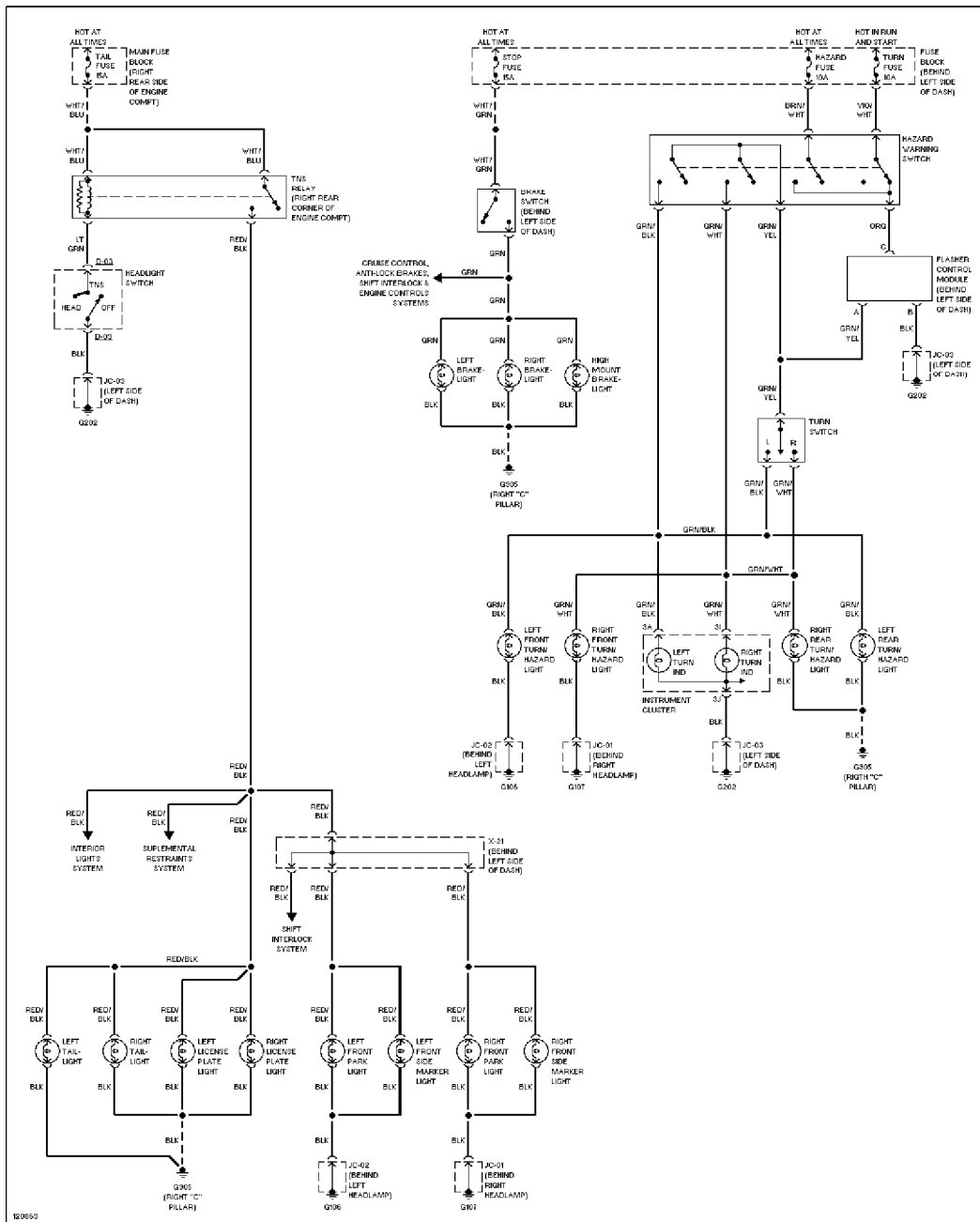
Article Text (p. 12)

2000 Mazda MX-5 Miata

For Yorba Linda Miata

Copyright © 1998 Mitchell Repair Information Company, LLC

Monday, May 12, 2003 03:06PM



Exterior Lamps Circuit

GROUND DISTRIBUTION

SYSTEM WIRING DIAGRAMS

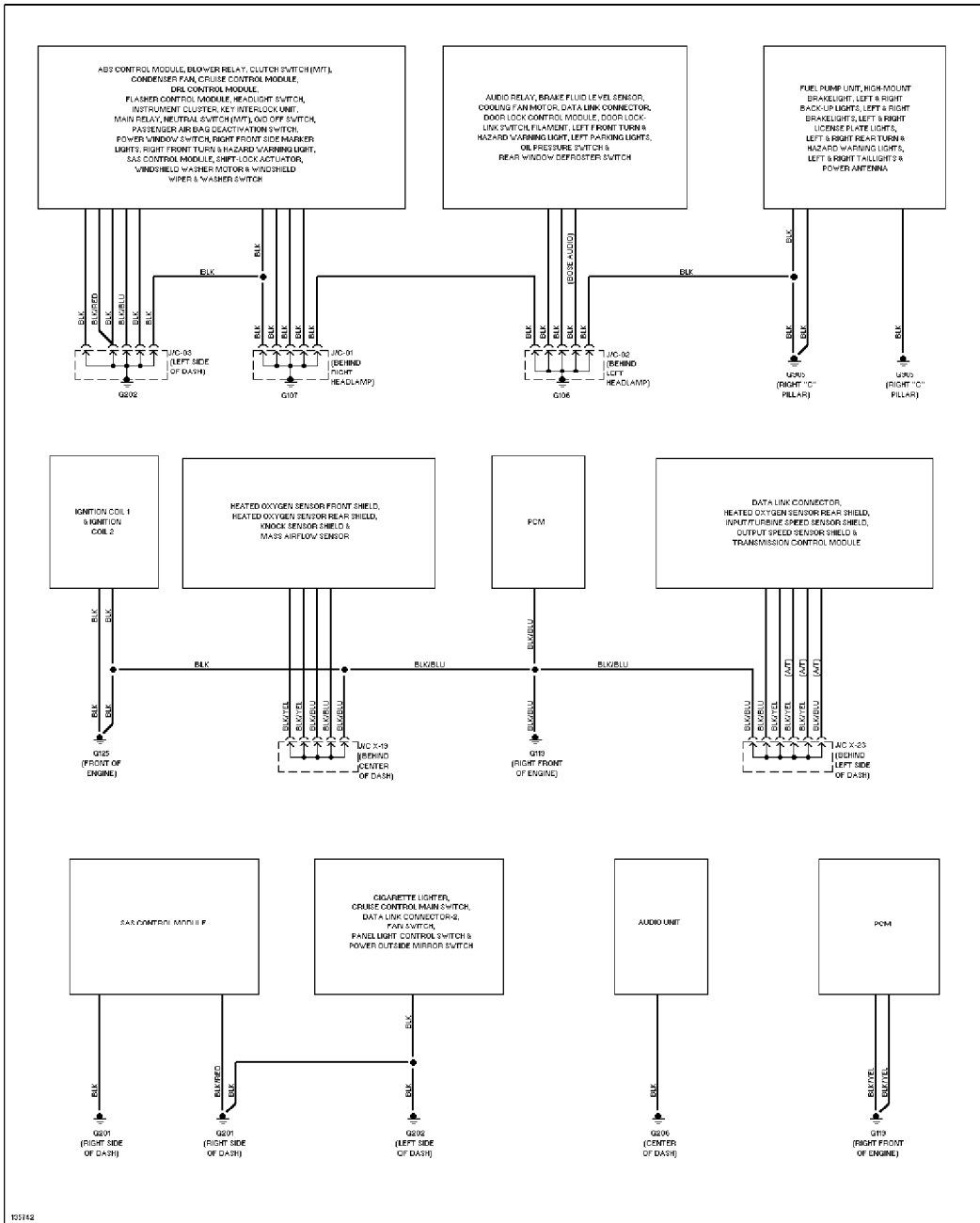
Article Text (p. 13)

2000 Mazda MX-5 Miata

For Yorba Linda Miata

Copyright © 1998 Mitchell Repair Information Company, LLC

Monday, May 12, 2003 03:06PM



Ground Distribution Circuit

HEADLIGHTS

SYSTEM WIRING DIAGRAMS

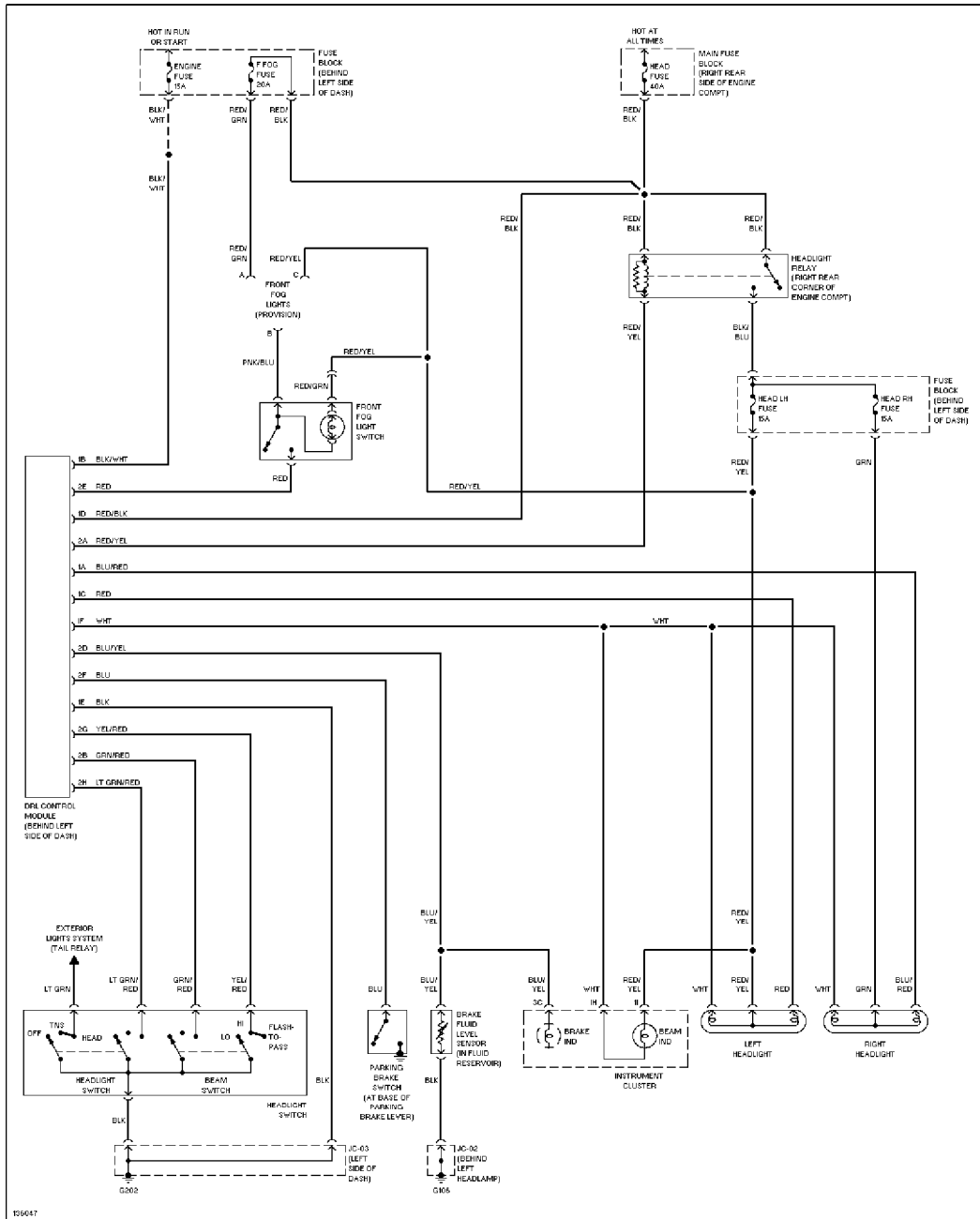
Article Text (p. 14)

2000 Mazda MX-5 Miata

For Yorba Linda Miata

Copyright © 1998 Mitchell Repair Information Company, LLC

Monday, May 12, 2003 03:06PM



Headlight Circuit, W/ DRL

SYSTEM WIRING DIAGRAMS

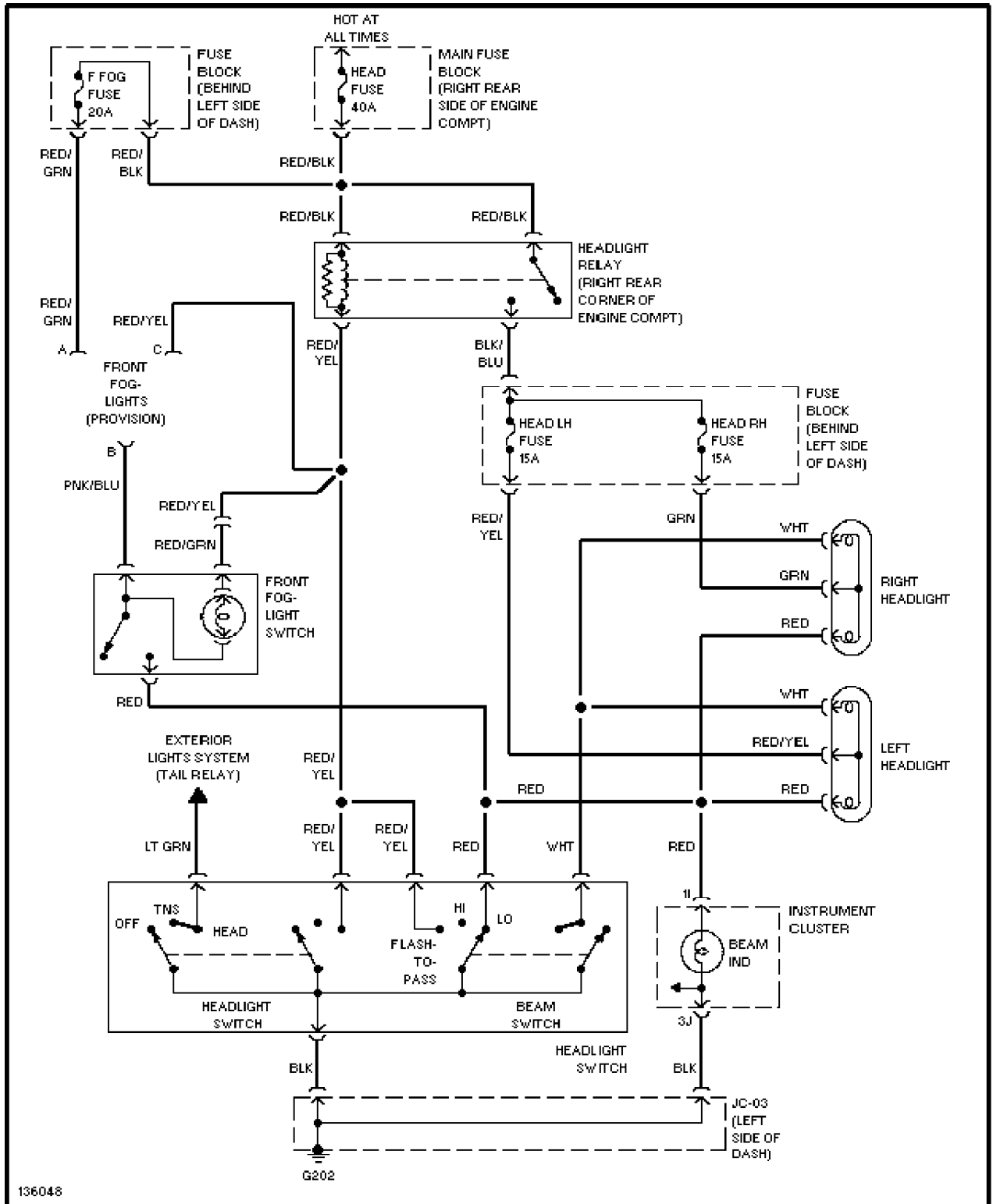
Article Text (p. 15)

2000 Mazda MX-5 Miata

For Yorba Linda Miata

Copyright © 1998 Mitchell Repair Information Company, LLC

Monday, May 12, 2003 03:06PM



Headlight Circuit, W/O DRL

HORN

SYSTEM WIRING DIAGRAMS

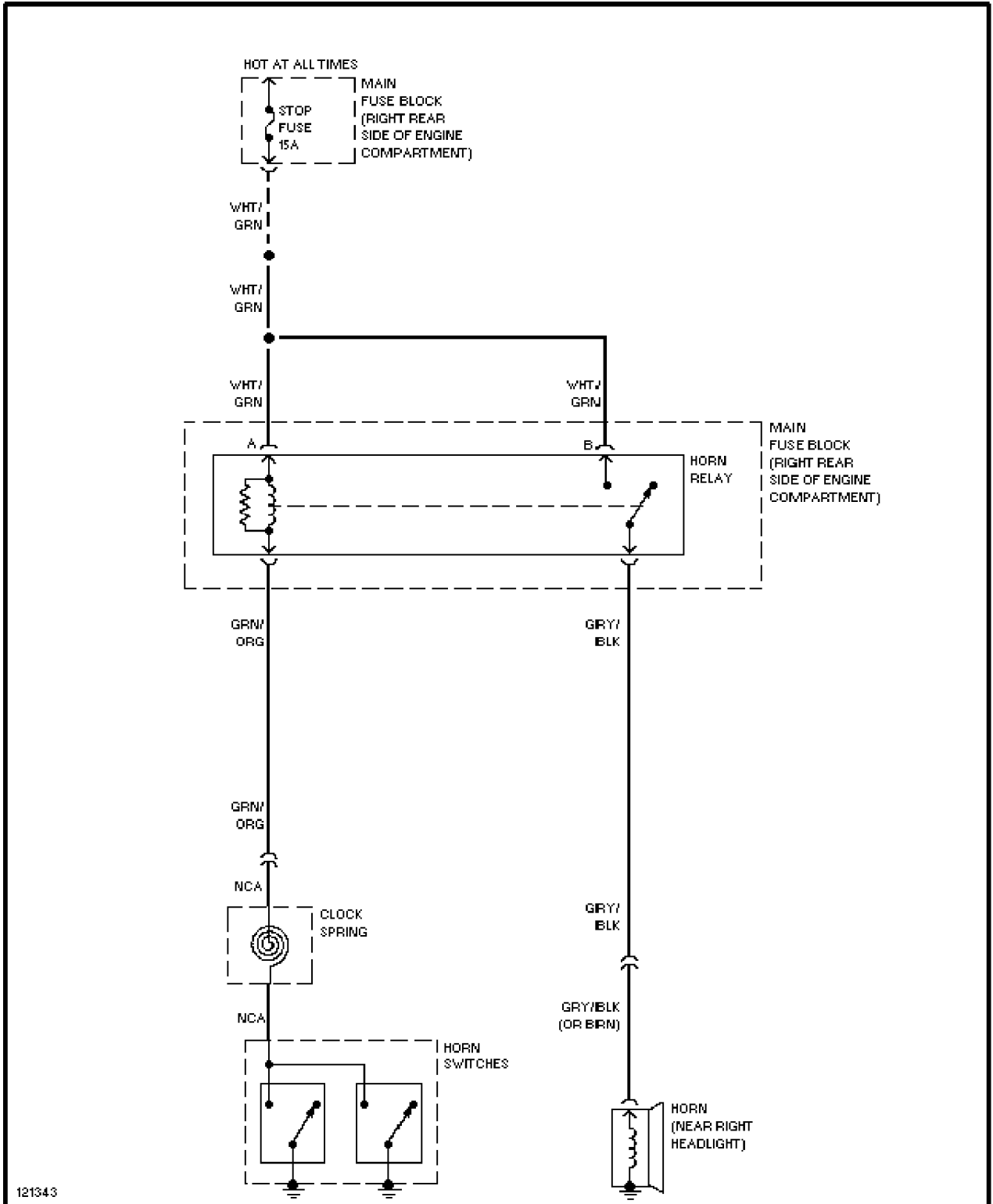
Article Text (p. 16)

2000 Mazda MX-5 Miata

For Yorba Linda Miata

Copyright © 1998 Mitchell Repair Information Company, LLC

Monday, May 12, 2003 03:06PM



Horn Circuit

SYSTEM WIRING DIAGRAMS

Article Text (p. 17)

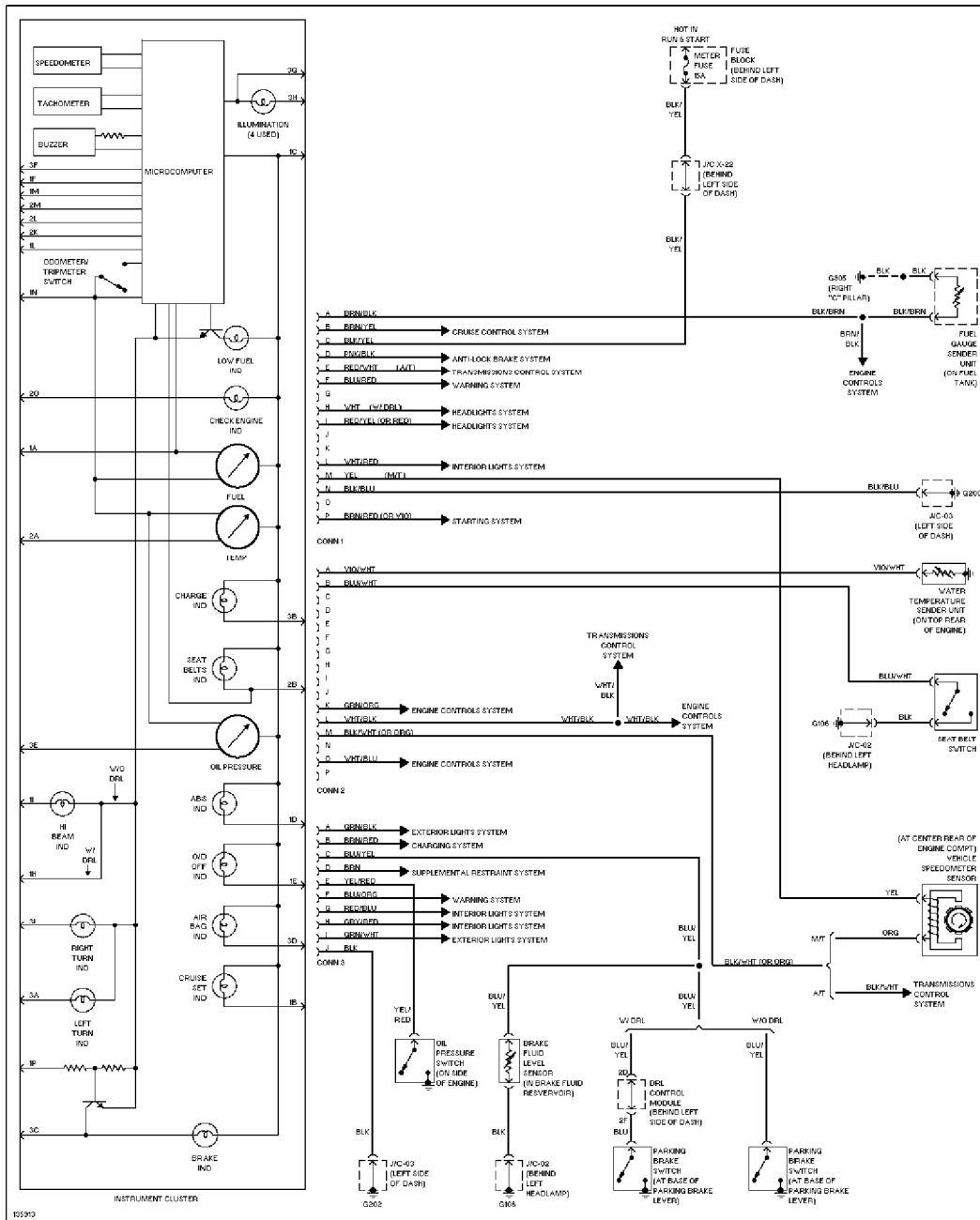
2000 Mazda MX-5 Miata

For Yorba Linda Miata

Copyright © 1998 Mitchell Repair Information Company, LLC

Monday, May 12, 2003 03:06PM

INSTRUMENT CLUSTER



Instrument Cluster Circuit

INTERIOR LIGHTS

SYSTEM WIRING DIAGRAMS

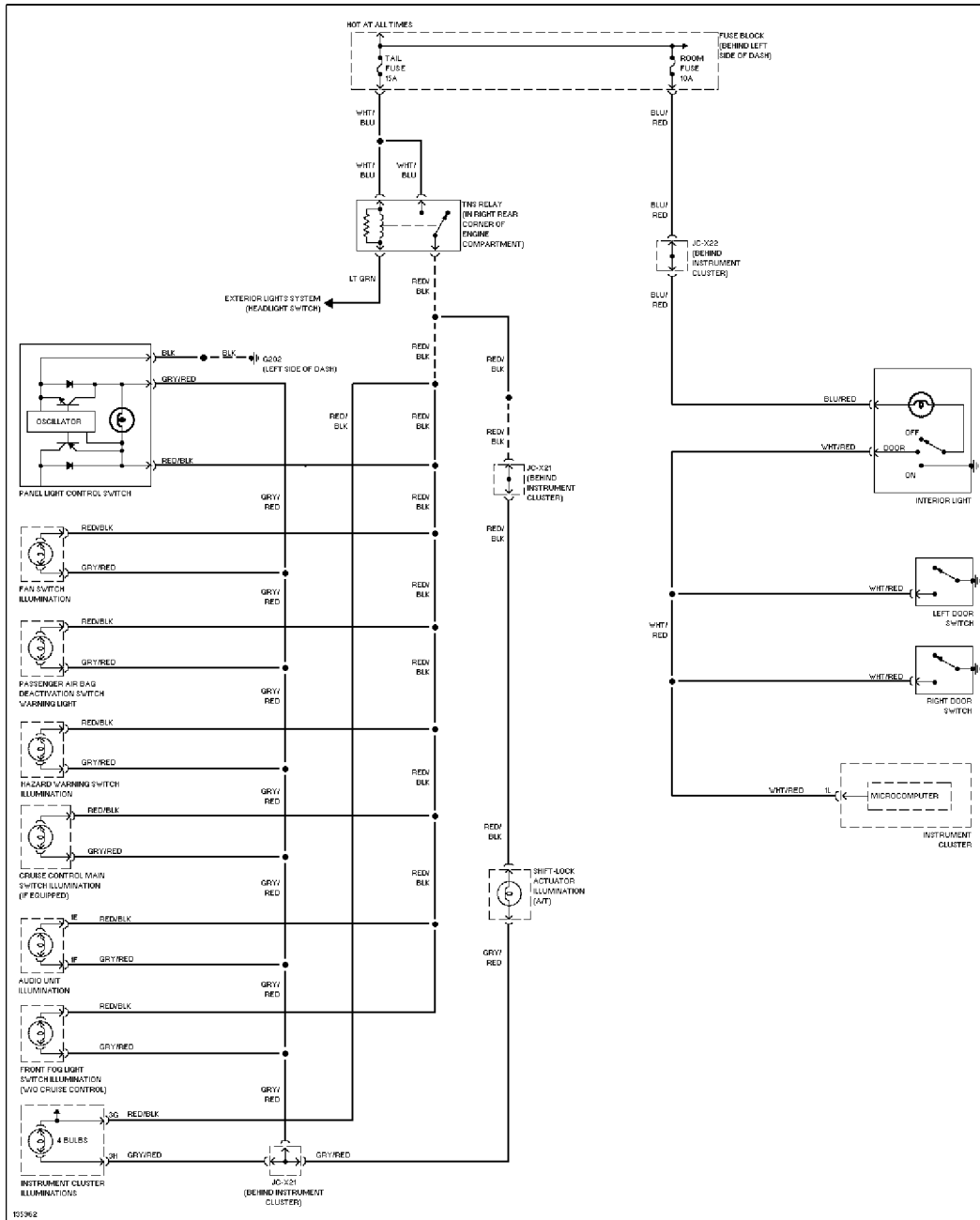
Article Text (p. 18)

2000 Mazda MX-5 Miata

For Yorba Linda Miata

Copyright © 1998 Mitchell Repair Information Company, LLC

Monday, May 12, 2003 03:06PM



Interior Light Circuit

POWER ANTENNA

SYSTEM WIRING DIAGRAMS

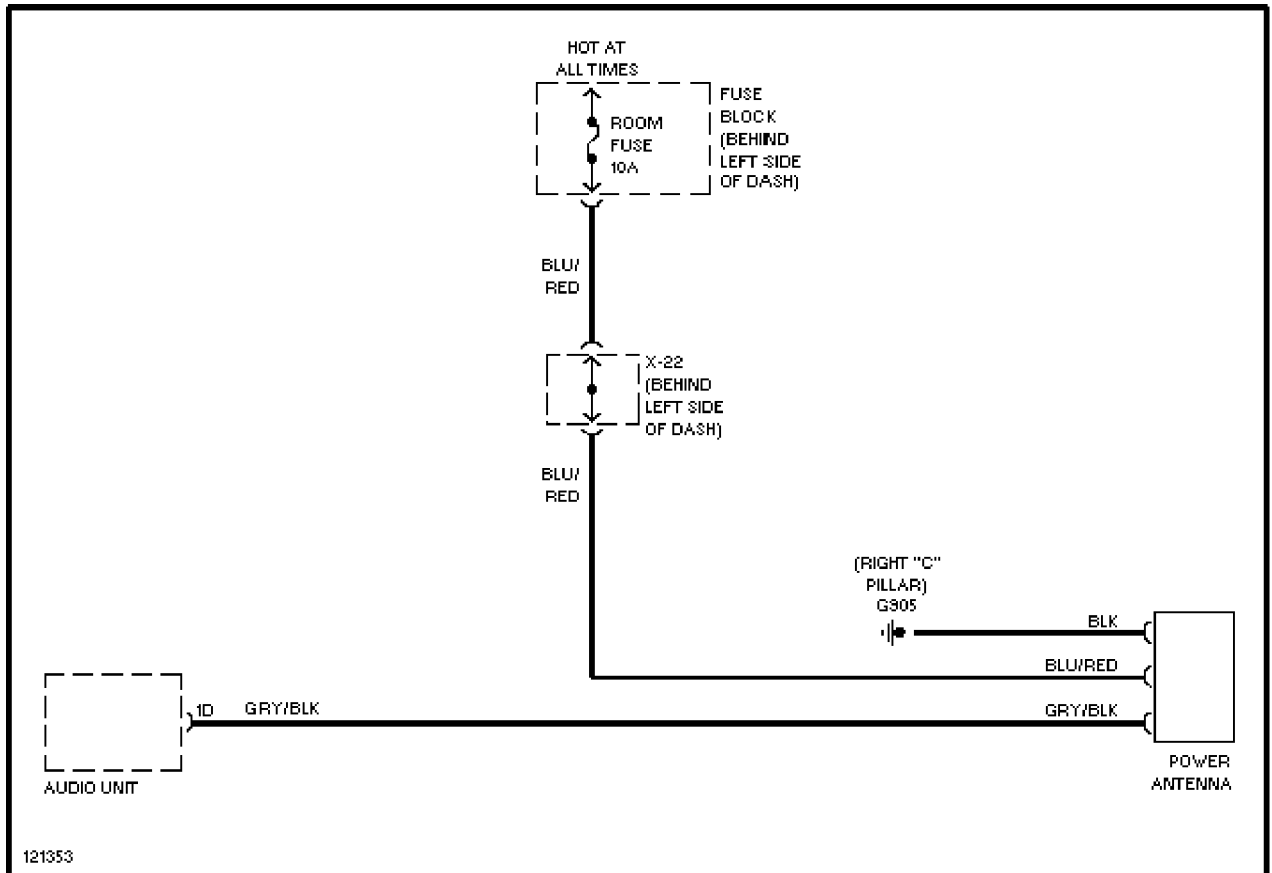
Article Text (p. 19)

2000 Mazda MX-5 Miata

For Yorba Linda Miata

Copyright © 1998 Mitchell Repair Information Company, LLC

Monday, May 12, 2003 03:06PM



Power Antenna Circuit

POWER DISTRIBUTION

SYSTEM WIRING DIAGRAMS

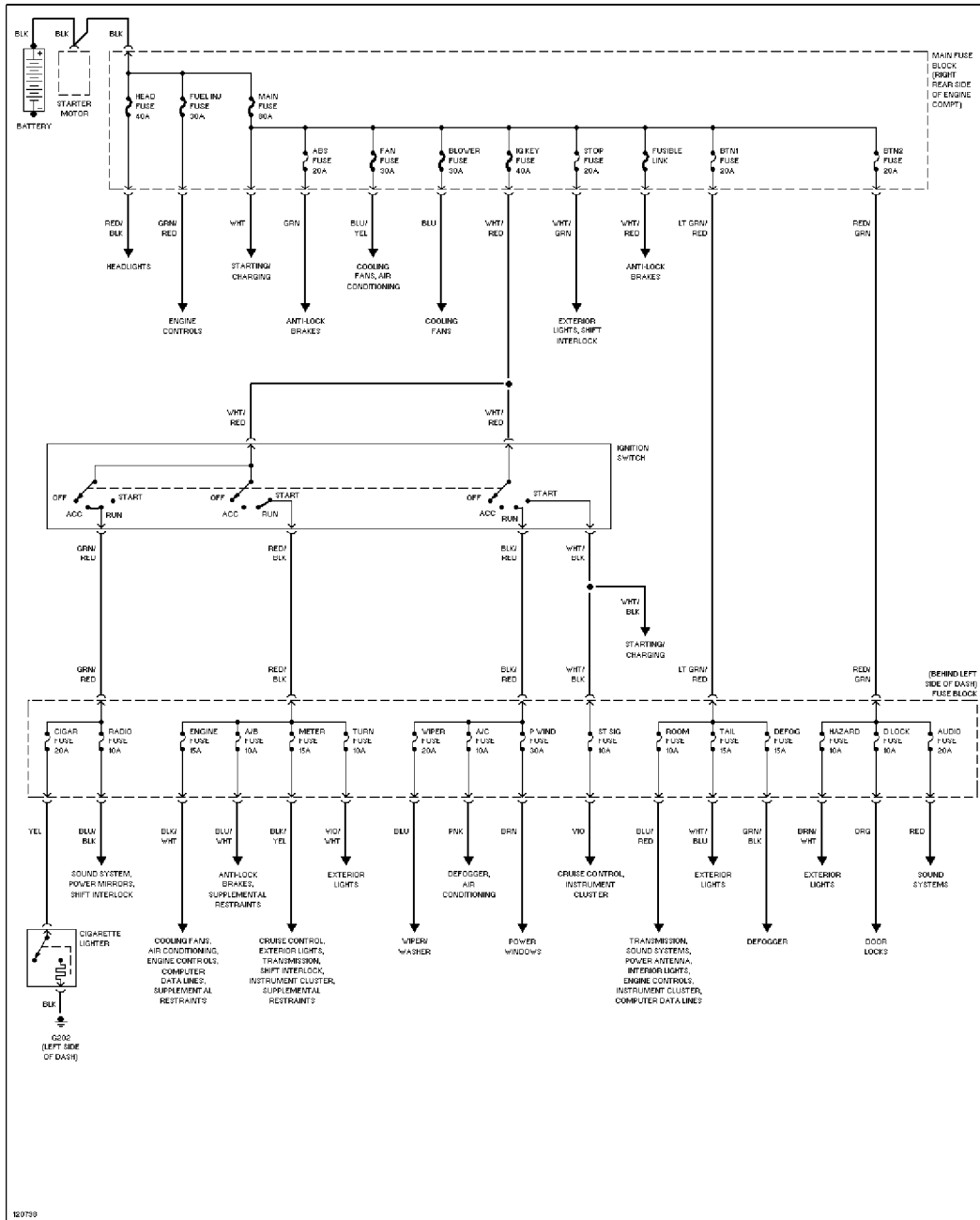
Article Text (p. 20)

2000 Mazda MX-5 Miata

For Yorba Linda Miata

Copyright © 1998 Mitchell Repair Information Company, LLC

Monday, May 12, 2003 03:06PM



Power Distribution Circuit

POWER DOOR LOCKS

SYSTEM WIRING DIAGRAMS

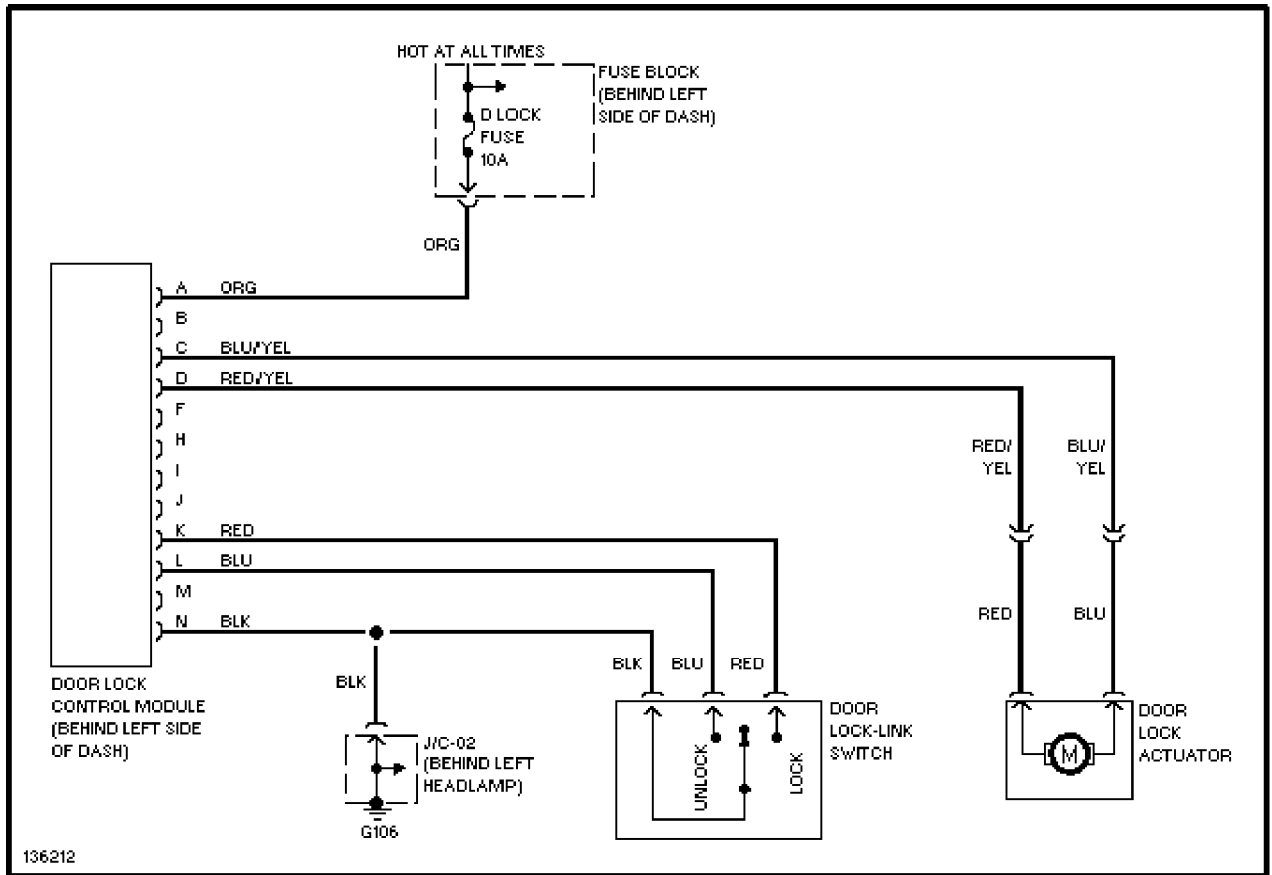
Article Text (p. 21)

2000 Mazda MX-5 Miata

For Yorba Linda Miata

Copyright © 1998 Mitchell Repair Information Company, LLC

Monday, May 12, 2003 03:06PM



Power Door Lock Circuit

POWER MIRRORS

SYSTEM WIRING DIAGRAMS

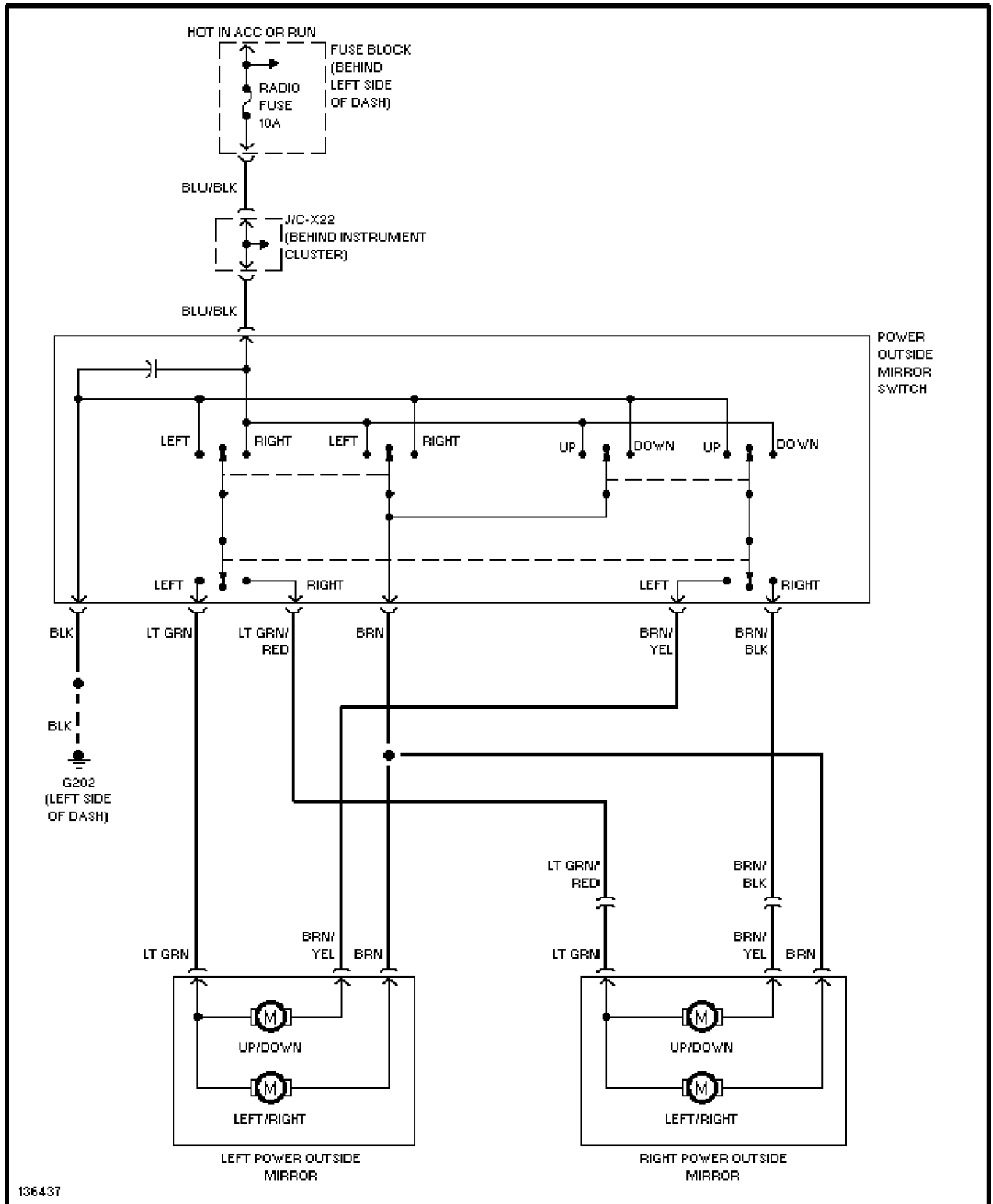
Article Text (p. 22)

2000 Mazda MX-5 Miata

For Yorba Linda Miata

Copyright © 1998 Mitchell Repair Information Company, LLC

Monday, May 12, 2003 03:06PM



Power Mirror Circuit

POWER WINDOWS

SYSTEM WIRING DIAGRAMS

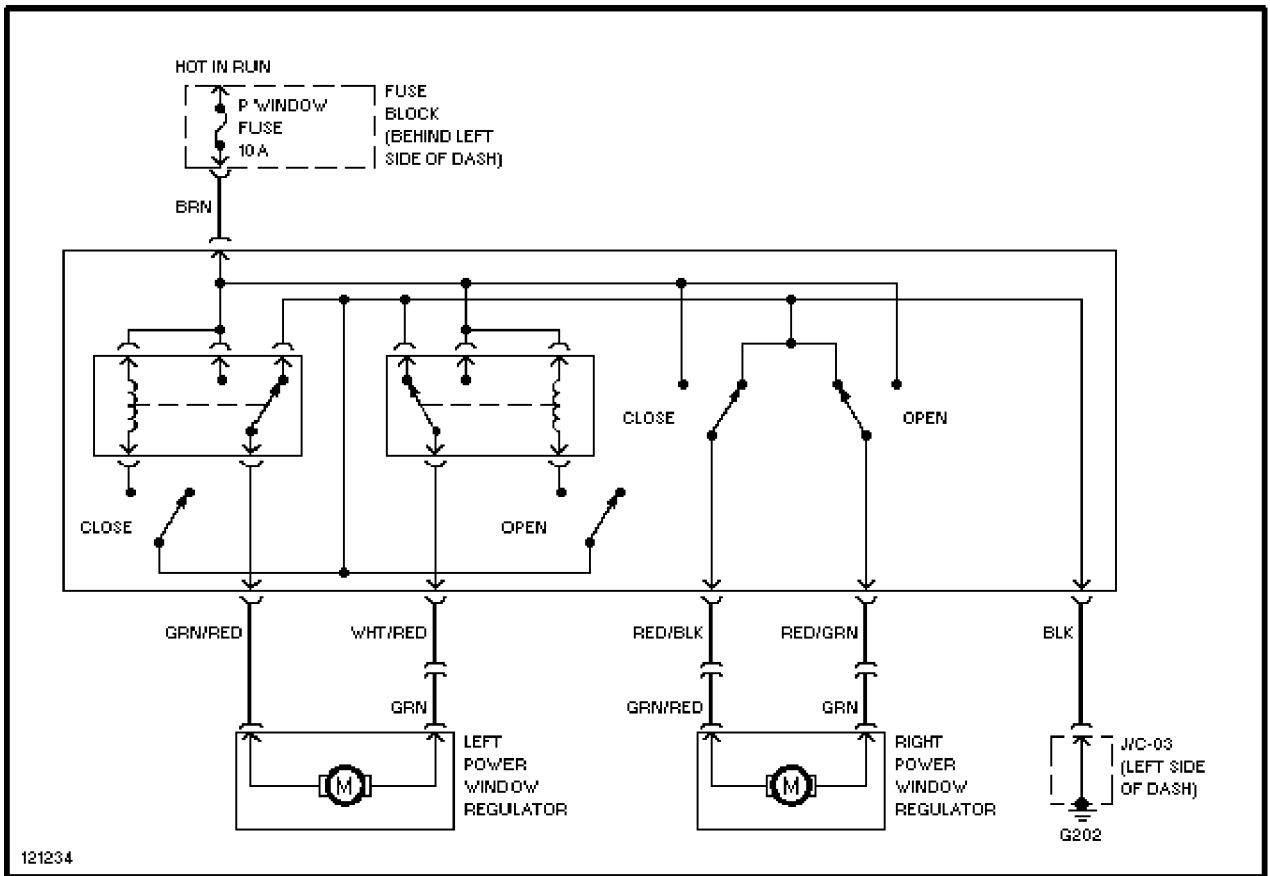
Article Text (p. 23)

2000 Mazda MX-5 Miata

For Yorba Linda Miata

Copyright © 1998 Mitchell Repair Information Company, LLC

Monday, May 12, 2003 03:06PM



Power Window Circuit

RADIO

SYSTEM WIRING DIAGRAMS

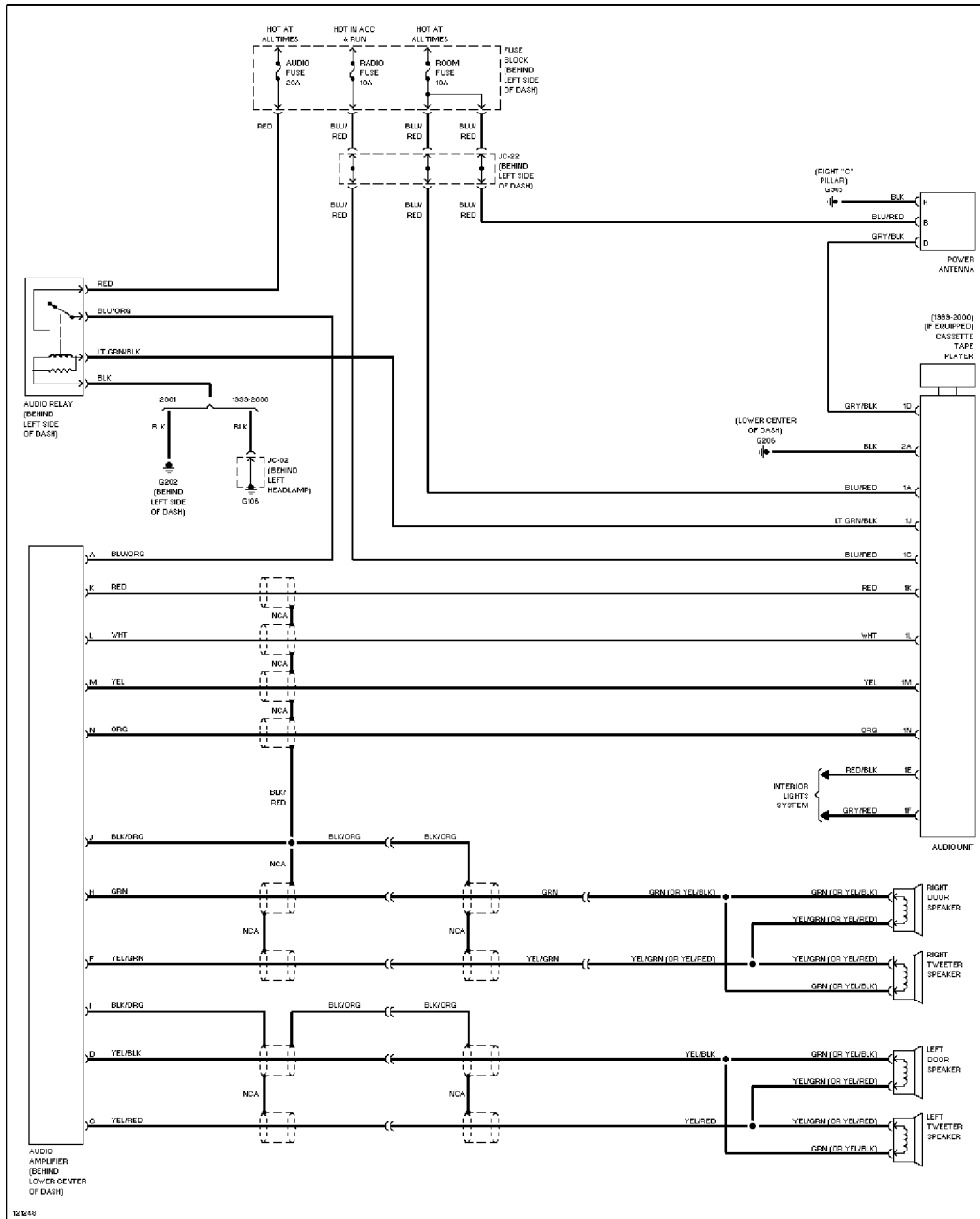
Article Text (p. 24)

2000 Mazda MX-5 Miata

For Yorba Linda Miata

Copyright © 1998 Mitchell Repair Information Company, LLC

Monday, May 12, 2003 03:06PM



Radio Circuits, Bose

SYSTEM WIRING DIAGRAMS

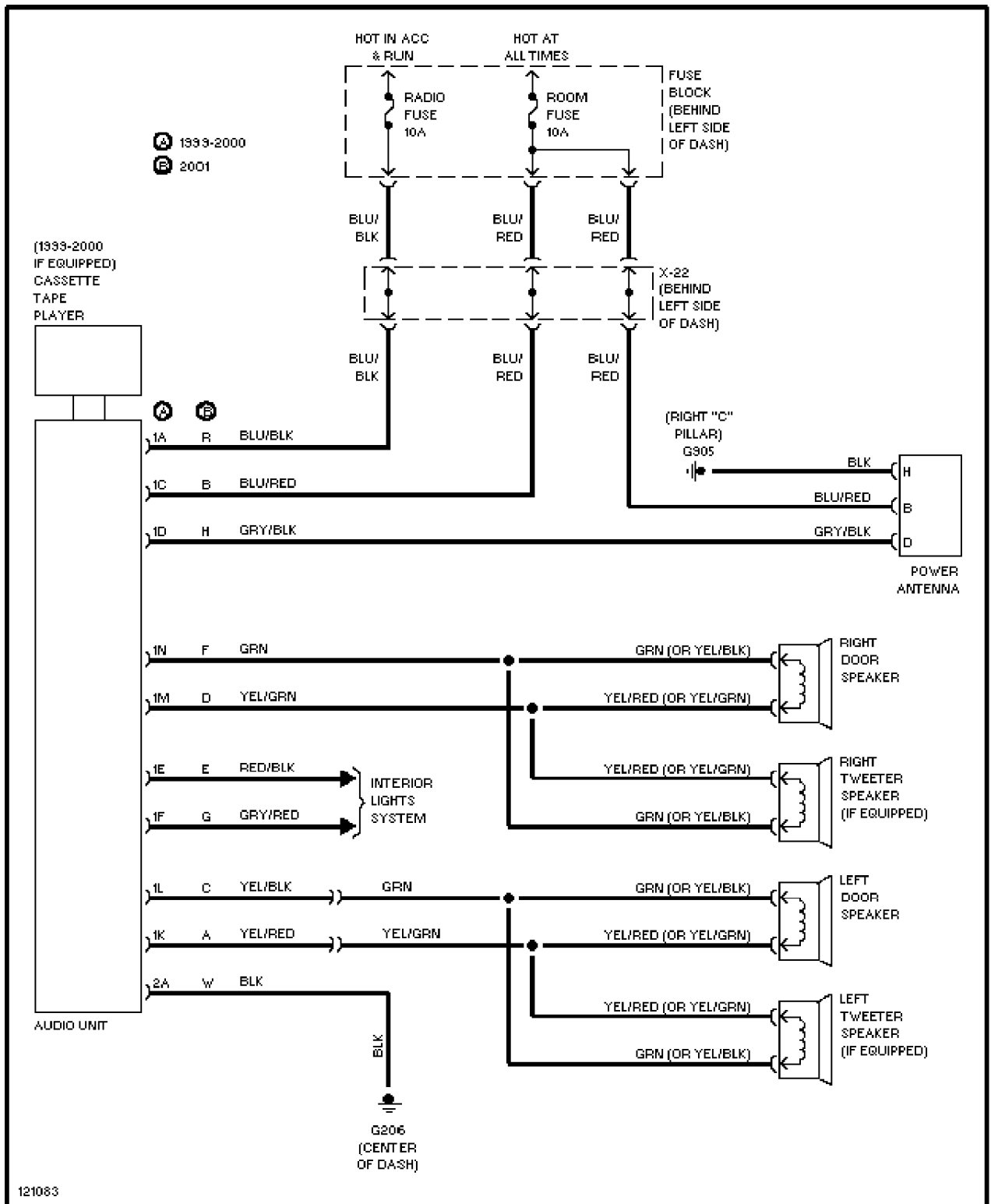
Article Text (p. 25)

2000 Mazda MX-5 Miata

For Yorba Linda Miata

Copyright © 1998 Mitchell Repair Information Company, LLC

Monday, May 12, 2003 03:06PM



Radio Circuits, Standard

SHIFT INTERLOCKS

SYSTEM WIRING DIAGRAMS

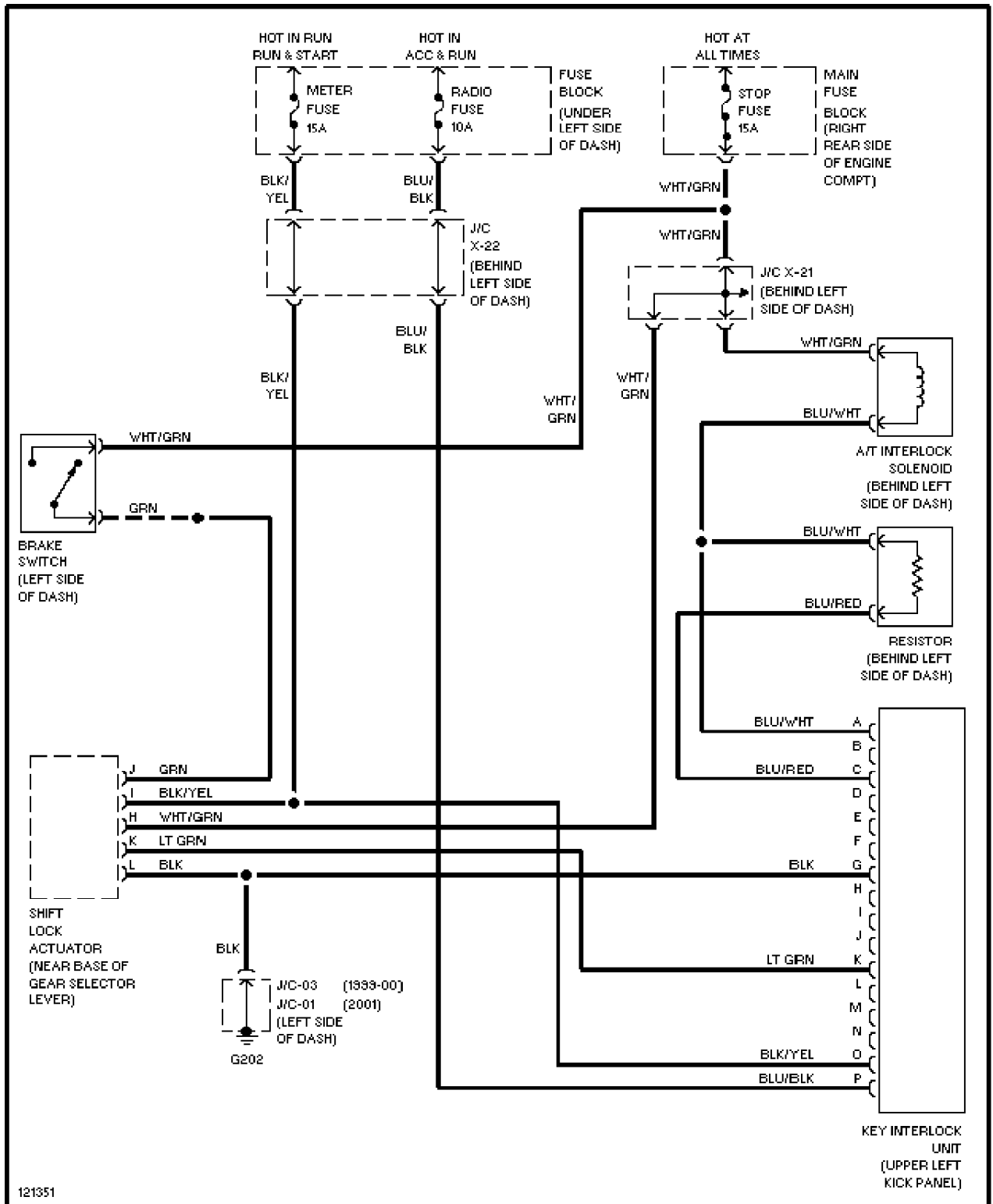
Article Text (p. 26)

2000 Mazda MX-5 Miata

For Yorba Linda Miata

Copyright © 1998 Mitchell Repair Information Company, LLC

Monday, May 12, 2003 03:06PM



121351

Shift Interlock Circuit

SYSTEM WIRING DIAGRAMS

Article Text (p. 27)

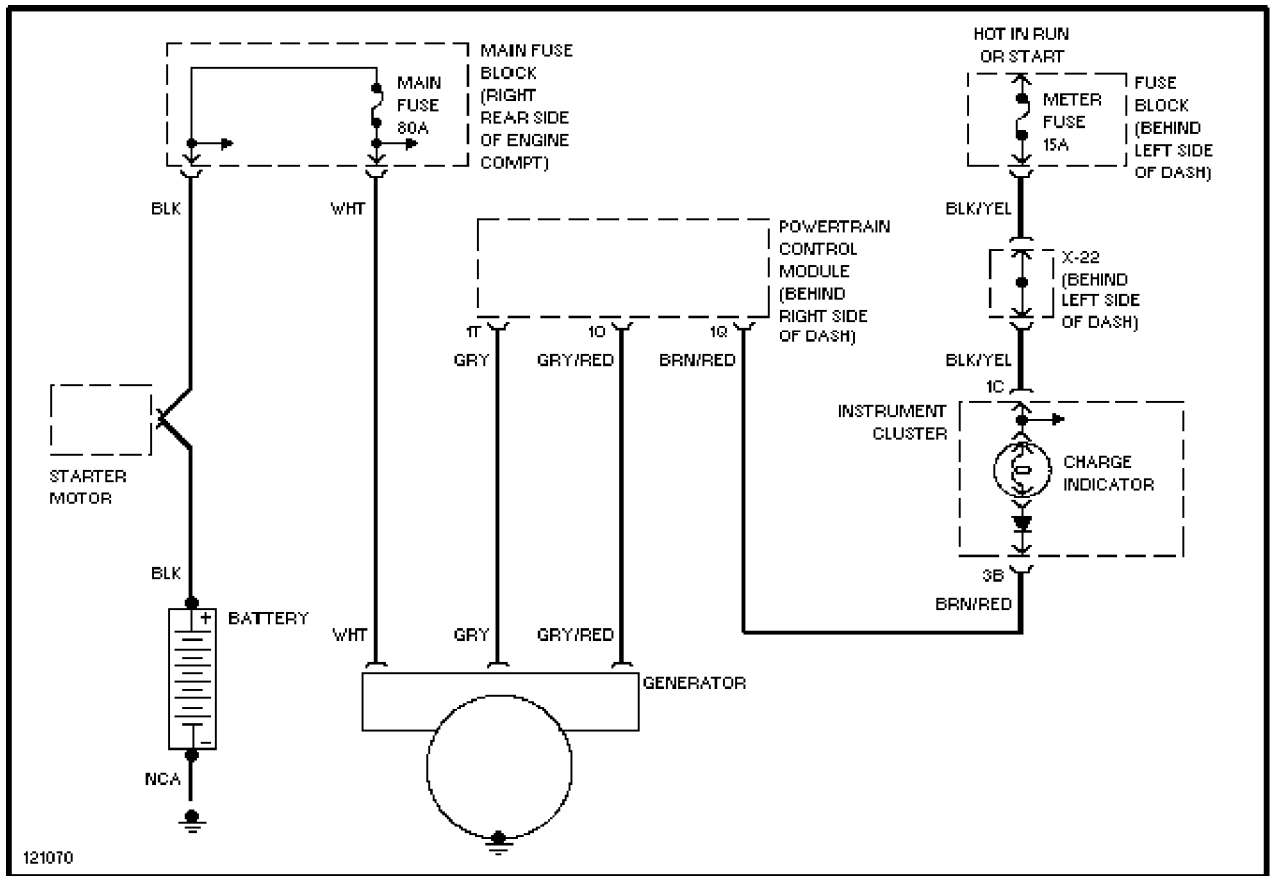
2000 Mazda MX-5 Miata

For Yorba Linda Miata

Copyright © 1998 Mitchell Repair Information Company, LLC

Monday, May 12, 2003 03:06PM

STARTING/CHARGING



Charging Circuit

SYSTEM WIRING DIAGRAMS

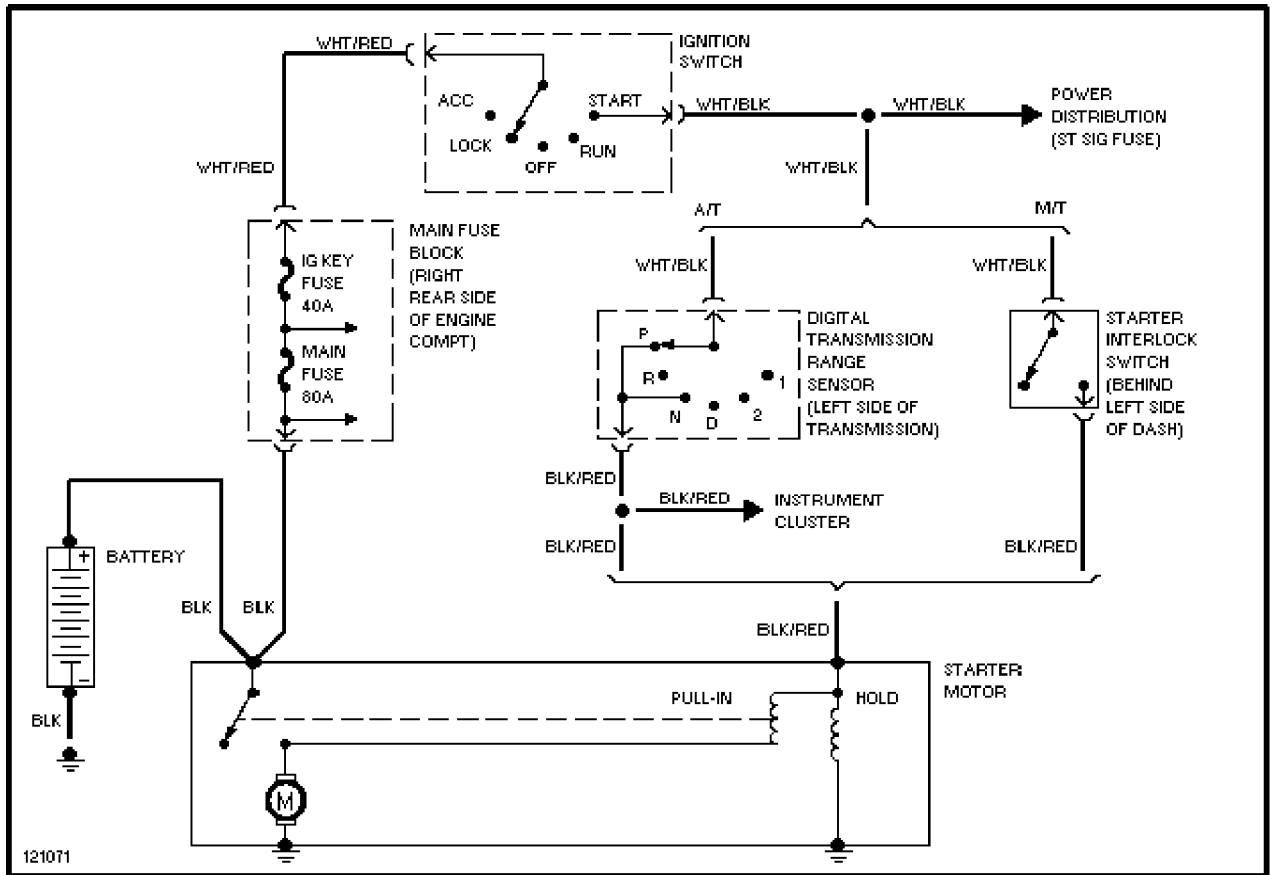
Article Text (p. 28)

2000 Mazda MX-5 Miata

For Yorba Linda Miata

Copyright © 1998 Mitchell Repair Information Company, LLC

Monday, May 12, 2003 03:06PM



Starting Circuit

SUPPLEMENTAL RESTRAINTS

SYSTEM WIRING DIAGRAMS

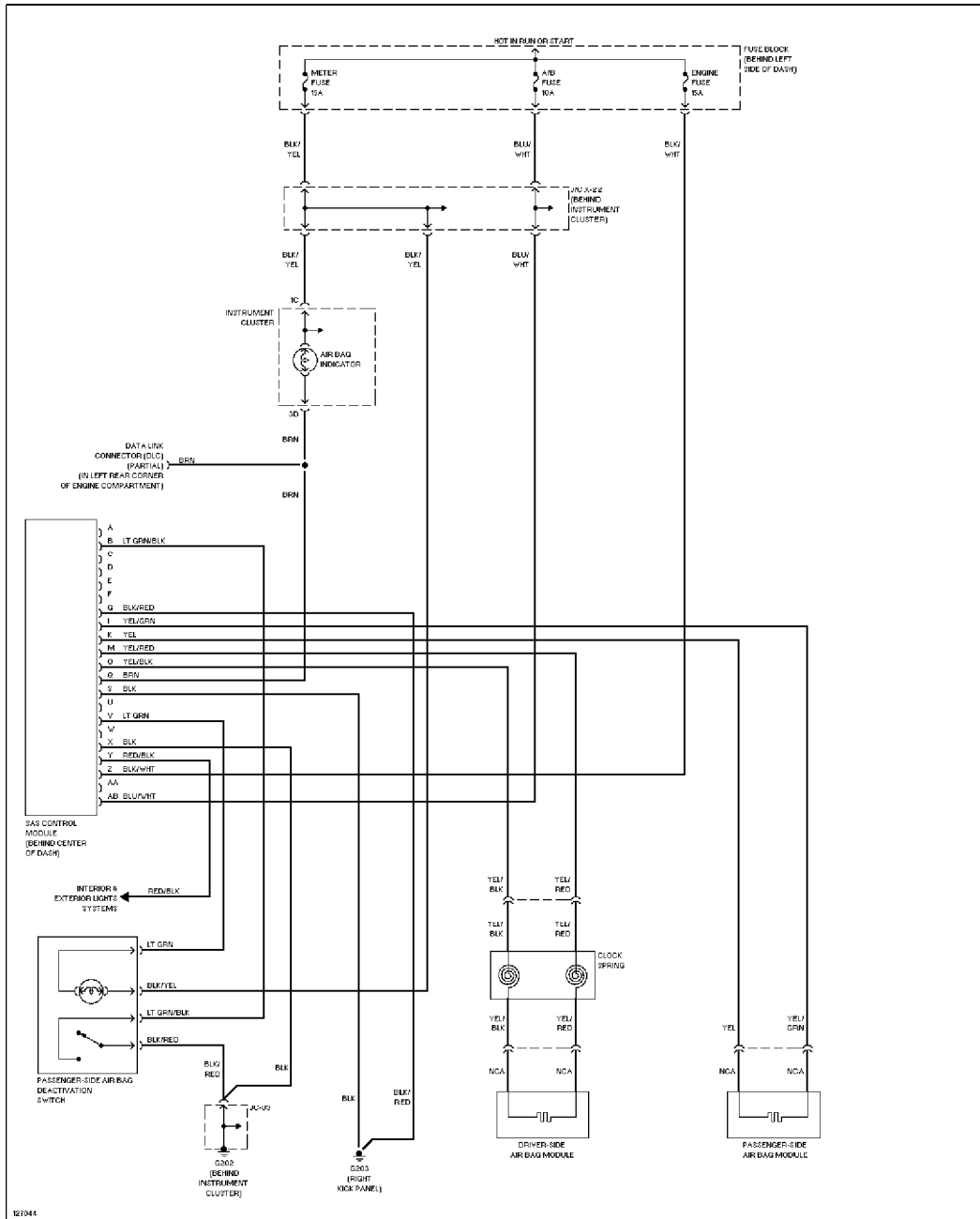
Article Text (p. 29)

2000 Mazda MX-5 Miata

For Yorba Linda Miata

Copyright © 1998 Mitchell Repair Information Company, LLC

Monday, May 12, 2003 03:06PM



Supplemental Restraint Circuit

TRANSMISSION

SYSTEM WIRING DIAGRAMS

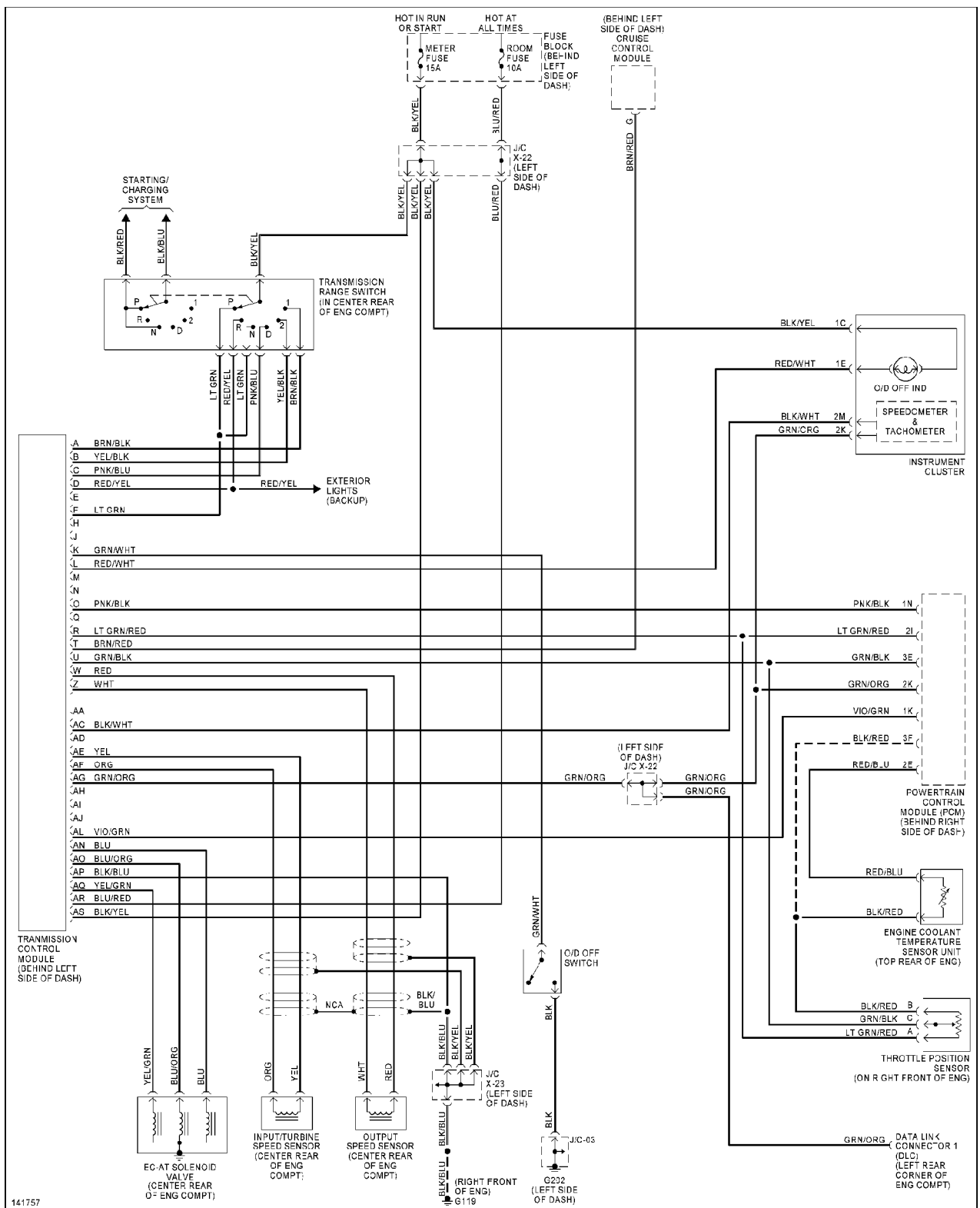
Article Text (p. 30)

2000 Mazda MX-5 Miata

For Yorba Linda Miata

Copyright © 1998 Mitchell Repair Information Company, LLC

Monday, May 12, 2003 03:06PM



A/T Circuit

SYSTEM WIRING DIAGRAMS

Article Text (p. 31)

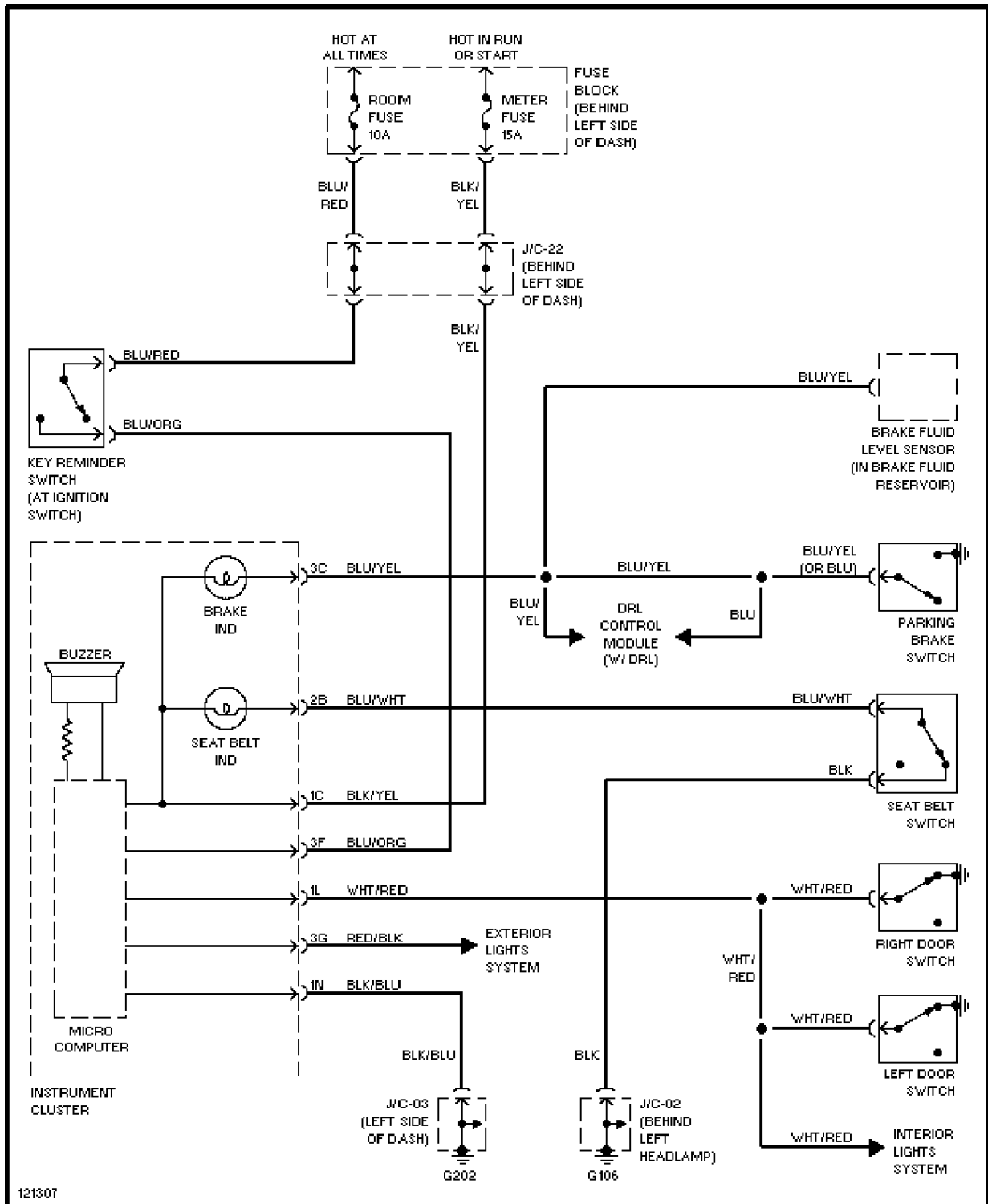
2000 Mazda MX-5 Miata

For Yorba Linda Miata

Copyright © 1998 Mitchell Repair Information Company, LLC

Monday, May 12, 2003 03:06PM

WARNING SYSTEMS



Warning System Circuits

SYSTEM WIRING DIAGRAMS

Article Text (p. 32)

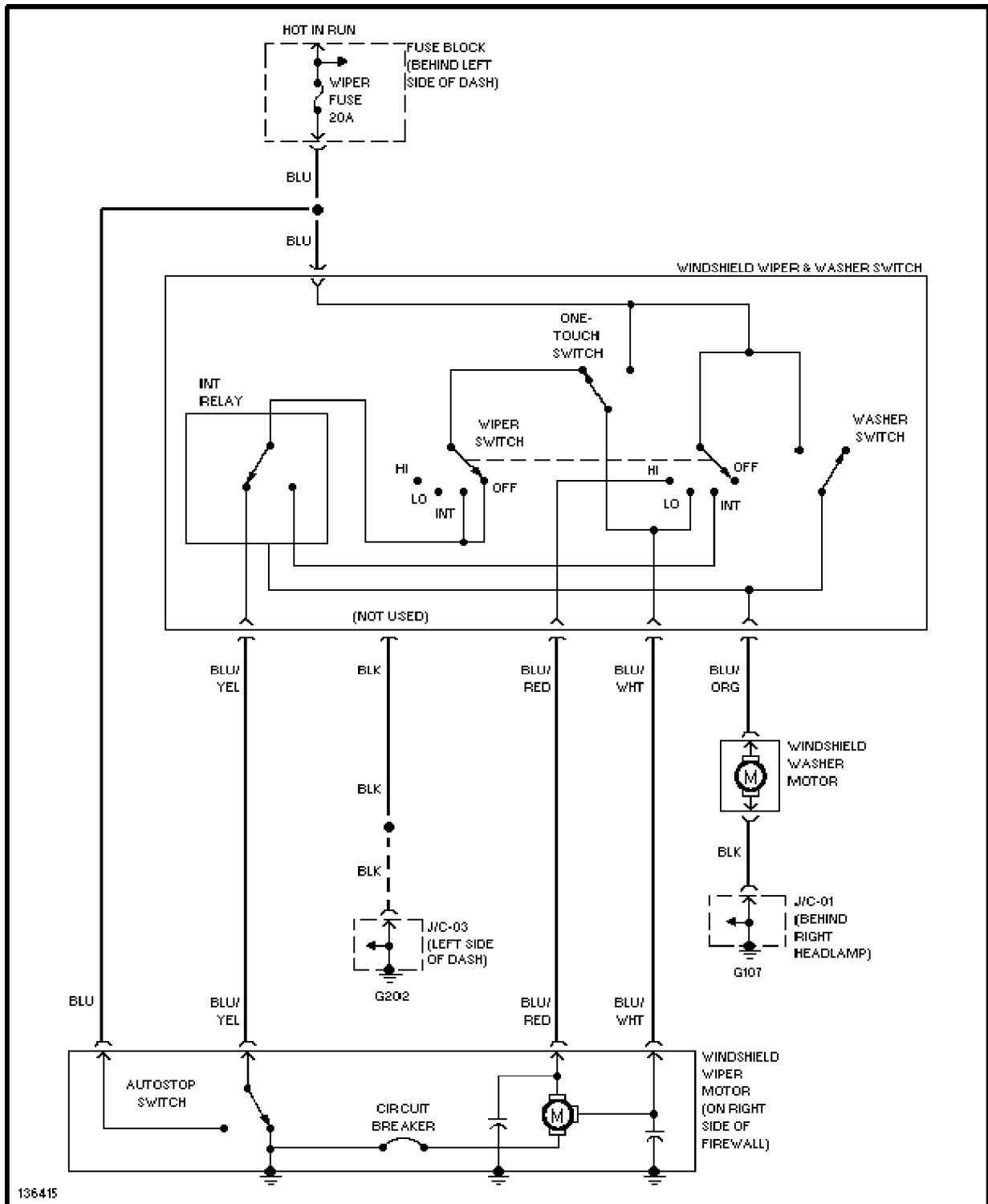
2000 Mazda MX-5 Miata

For Yorba Linda Miata

Copyright © 1998 Mitchell Repair Information Company, LLC

Monday, May 12, 2003 03:06PM

WIPER/WASHER



Wiper/Washer Circuit

END OF ARTICLE